

BLUESTAR 24" GAS WALL OVEN SERIES

With over 130 years of experience making cooking equipment, and as the leading manufacturer of high-performance commercial-style ranges for the home, it is no surprise that BlueStar™ makes the finest residential gas wall ovens available. The unparalleled accuracy and versatility found in the baking and roasting qualities of our convection oven make this an unsurpassed addition to every cook's favorite room in the house.

Heavy-duty construction combined with innovative features produce an appliance of uncompromising durability, functionality, and beauty that will be the focal point of your kitchen for years to come!

BlueStar 24" Gas Wall Oven Series

- Extra large oven capacity: 20.25"W x 20"D x 15"H.
- Features right to left swing door (left to right swing door optional.)
- Available in single and stackable versions.
- Powerful 25,000 BTU burner within each oven.
- 15,000 BTU ceramic infrared broiler.
- Heat assist element standard for quick start-ups and 3,000 BTU of additional power.
- Accommodates a half size commercial 18" x 13" baking sheet.
- Convection oven cooking.
- Available in 190 colors.



▲ Model BWO24AGS in Stainless Steel.



▲ Model BWO24AGS (2) in Stainless Steel with stacking kit.

5 of the 190 available colors:



▲ Ruby Red
RAL 3003



▲ Traffic Yellow
RAL 1023



▲ Cobalt Blue
RAL 5013



▲ Pure Orange
RAL 2004

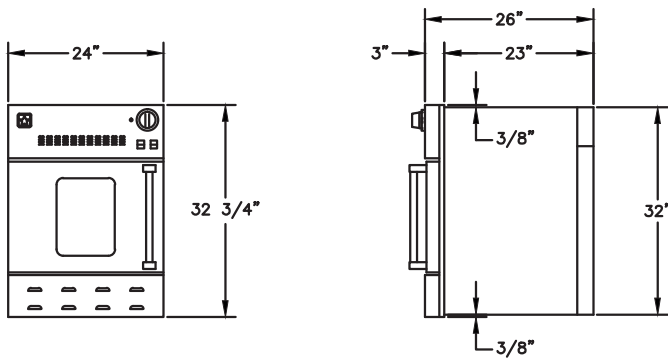


▲ Moss Green
RAL 6005

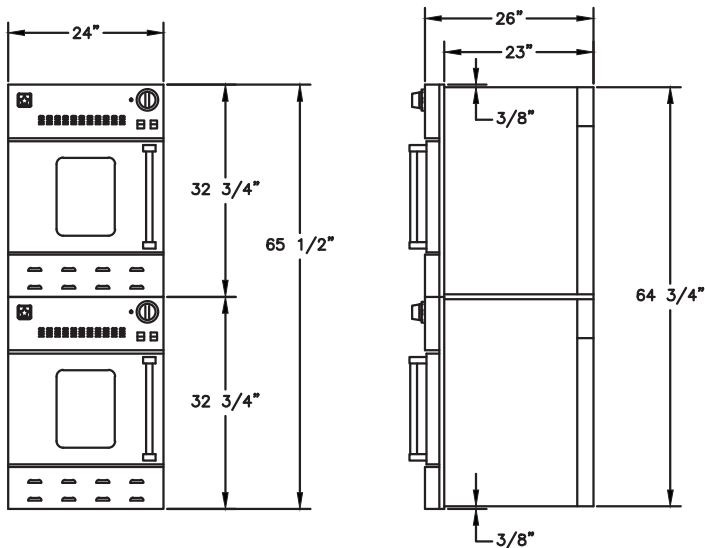
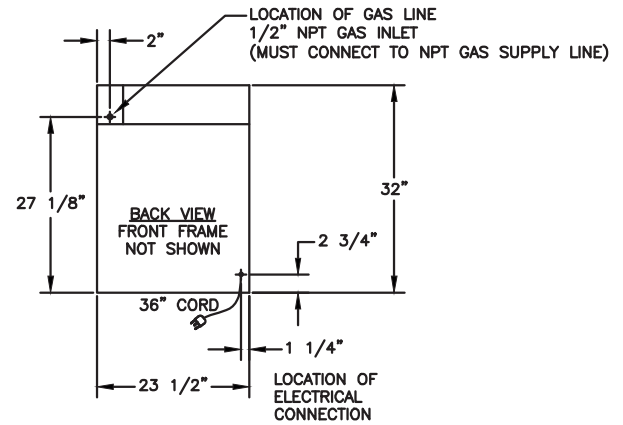
BLUESTAR 24" GAS WALL OVEN SERIES

Standard Features

- Available in 190 different colors.
- Extra large oven capacity: 20.25"W x 20"D x 15"H.
- Features right to left swing door (left to right swing door optional).
- Available in single and stackable versions.
- Powerful 25,000 BTU burner within each oven.
- 15,000 BTU ceramic infrared broiler.
- Accommodates a half size commercial 18" x 13" baking sheet.
- Heat assist element standard for quick start-ups and 3,000 BTU of additional power.
- 24" depth for compatibility with standard kitchen cabinetry.
- Convection oven cooking.
- Coved corners for optimal heat circulation and easier cleaning.
- Full extension oven rack.
- High visibility dual halogen oven lights.
- Easy view oven door window system.
- Heavy-duty control knobs.
- Stackable version includes stacking kit.
- Natural or propane.



▲ Model BWO24AGS



▲ Model BWO24AGS (2)
with stacking kit.

