



BLUESTAR COOKTOP SERIES - 30" & 36"



36" Cooktop
Model RBCT365BV2

Introducing the all-new BlueStar cooktops. Featuring a streamlined design plus a sleeker size perfect for pairing with our electric wall ovens, the cooktops offer incomparable power and performance for discerning home chefs who demand restaurant-quality results at home.

NEW Features Include:



Streamlined Design

The new BlueStar cooktop features a streamlined design featuring a stamped one piece control panel with laser etching. The addition of cast iron burner bowls that match the matte finish of the grates completes the brand new design.



Brushed Stainless Steel Knobs Plus Available Customization

The new BlueStar cooktops now feature brushed stainless steel knobs (that come standard), adding to the sleek look of the cooktop surface. For the first time customers will also have the option of customizing their knobs with any of our 750+ colors & finishes.



Enhanced Compatibility with BlueStar Electric Wall Oven

Featuring a reduced depth, the new cooktop can now be installed above a BlueStar Electric Wall Oven. Now, customers have even more options to create a restaurant-quality kitchen at home.



Easier to Clean

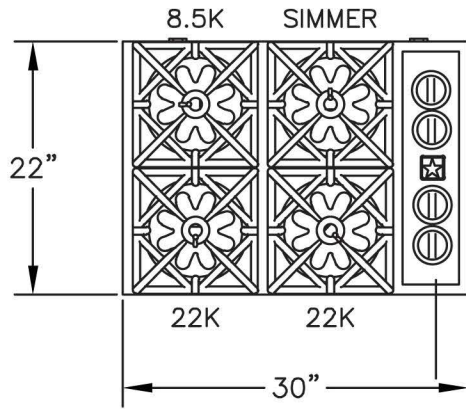
The new model features an easy-to-clean design. The one piece top can be effortlessly removed to clean up any messes that may fall below the cooktop surface.

Built on a Foundation of Culinary Excellence:

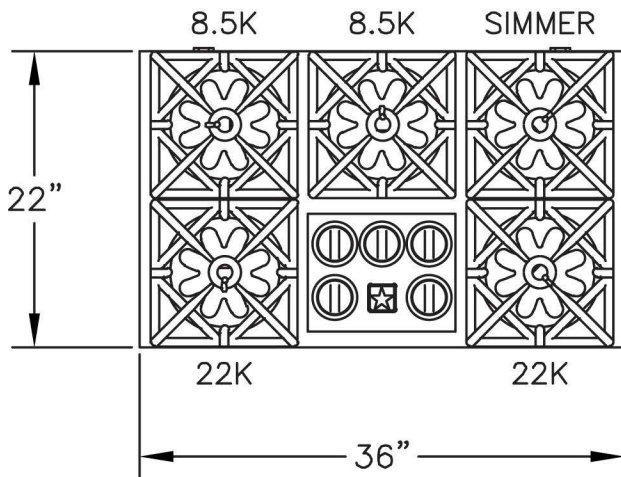
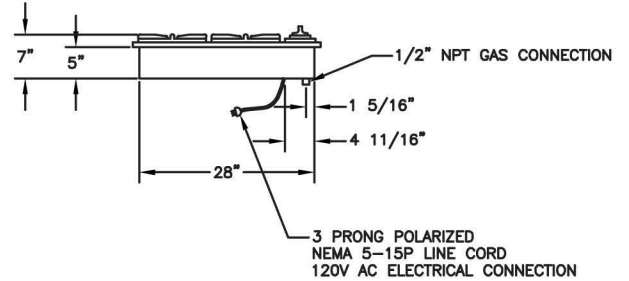
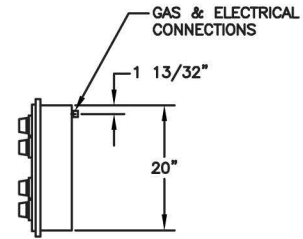
- Available in 30" & 36" sizes
- Featuring the 22,000 BTU UltraNova™ power burner
- Gentle 130° F simmer burner
- Full motion cast-iron grates
- Automatic electronic ignition
- Handcrafted in Reading, PA since 1880

BLUESTAR COOKTOP SERIES - 30" & 36"

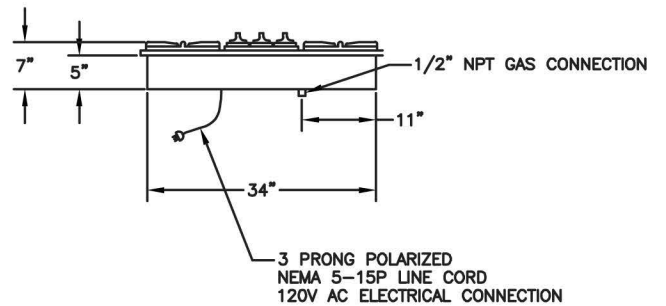
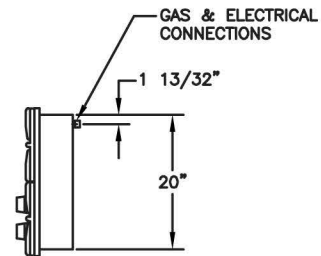
BlueStar Cooktop Configurations



▲ 30" Cooktop



▲ 36" Cooktop



Accessories

Wok Ring

Additional Products

Ranges

Indoor Charbroilers

Warming Drawers

Salamander Broiler

Hoods

Wall Ovens