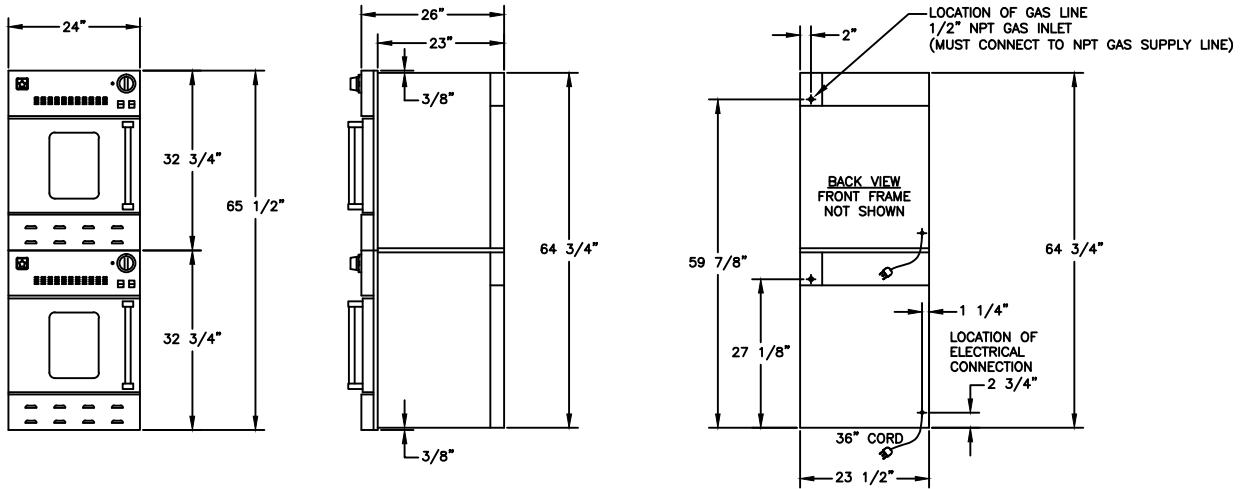
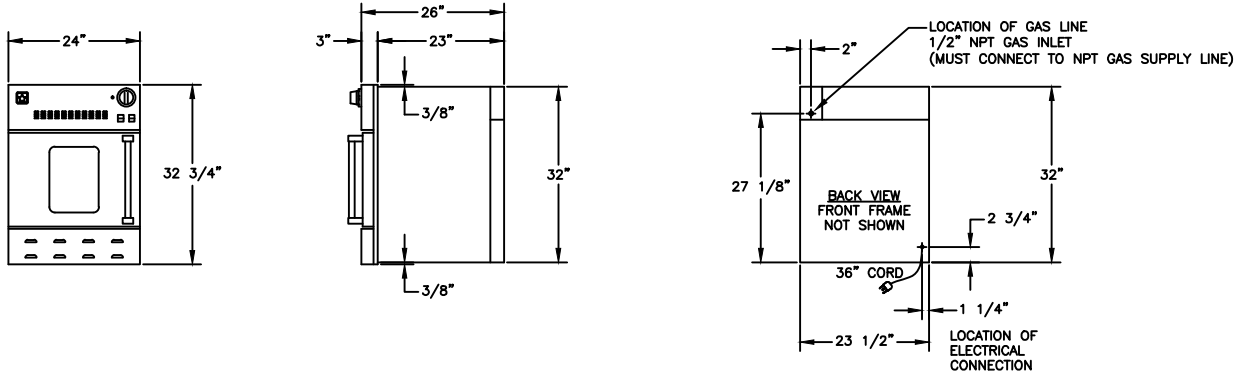


BLUESTAR WALL OVEN - 24"



SPECIFICATIONS:

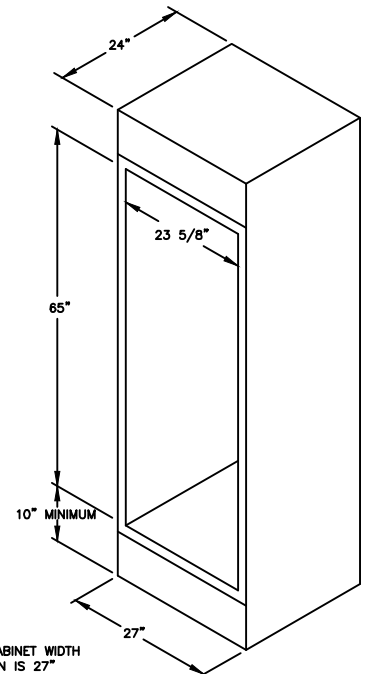
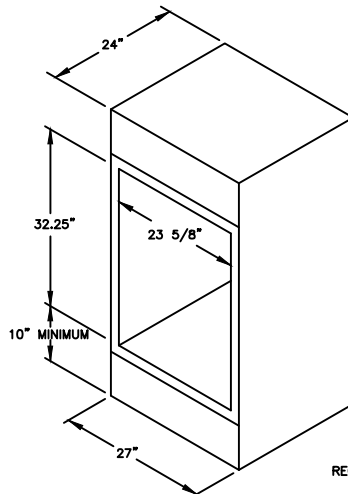
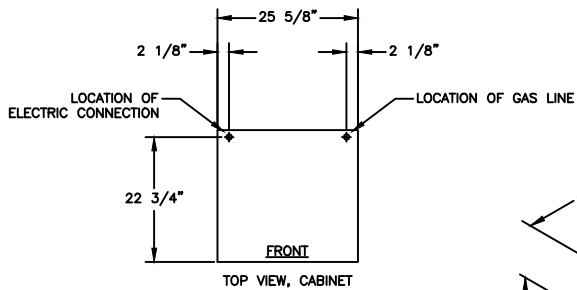
- OVEN INTERIOR: ----- 20.25"W x 20"D x 15"H
- OVEN BURNER RATING ----- 25,000 BTU
- OVEN INFRARED BROILER RATING -- 15,000 BTU
- OVEN HEAT ASSIST ELEMENT ----- 3,000 BTU

- SINGLE OVEN:
ELECTRICAL REQUIREMENTS ----- 120V, 60Hz, 15 AMPS, 1 PH
(UNIT MUST BE ON A NON-GFI, DEDICATED OUTLET)
- DOUBLE OVEN
ELECTRICAL REQUIREMENTS ----- 120V, 60Hz, 20 AMPS, 1 PH
(UNIT MUST BE ON A NON-GFI, DEDICATED OUTLET)

- OPERATING GAS PRESSURE ----- NAT: 5.0" WC
LP: 10.0" WC

OPTIONS

- LEFT TO RIGHT SWING DOOR
- ADDITIONAL OVEN RACK
- FULL EXTENSION OVEN RACK
- CUSTOM COLOR



RECOMMENDED CABINET WIDTH
FOR 24" OVEN IS 27"

CLEARANCES

VISIT www.bluestarcooking.com FOR CUSTOM CONFIGURATIONS