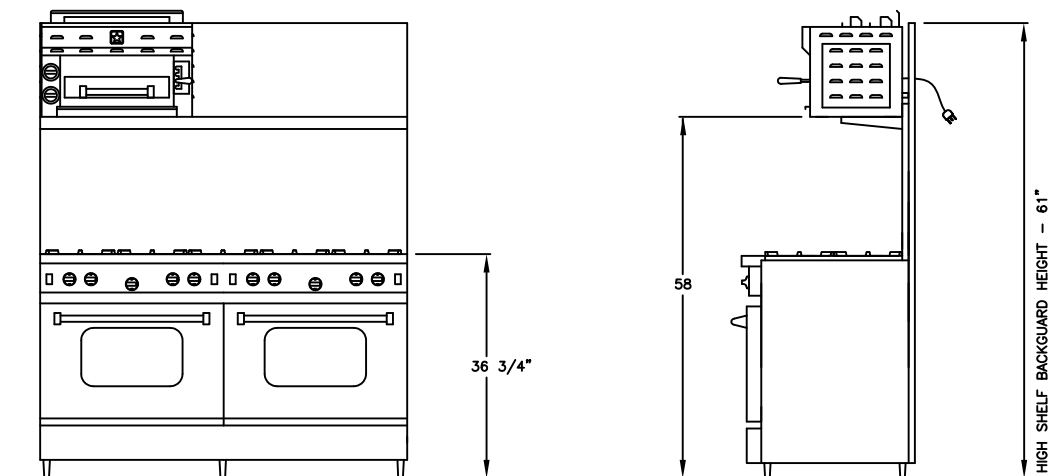
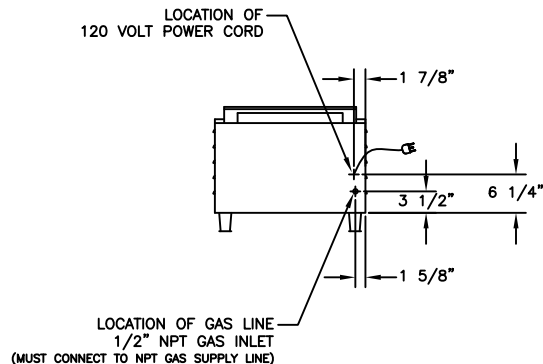
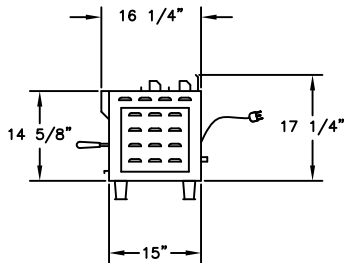
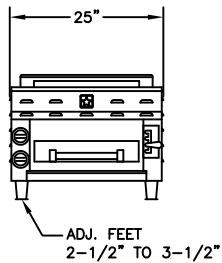
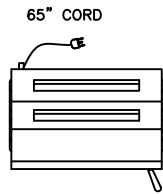


BLUESTAR SALAMANDER BROILER SERIES

PRZSAL24



SPECIFICATIONS:

- TWO INDEPENDENTLY CONTROLLED INFRARED BURNERS:
RATING FOR EACH BURNER - - - - 11,000 BTU
- ELECTRICAL REQUIREMENTS - - - - 120V, 60Hz, 15 AMPS, 1 PH
(UNIT MUST BE ON A NON-GFI, DEDICATED OUTLET)
- OPERATING GAS PRESSURE - - - - NAT: 5.0" WC
LP: 10.0" WC

INSTALLATION NOTES:

- THIS UNIT MUST BE INSTALLED WITH A HOOD.
- HOOD SIZE AND CFM WILL VARY DEPENDING ON SIZE OF RANGE.
- FOR A COUNTER TO MODEL A MINIMUM SHOULD BE A 36" 900 CFM IS RECOMMENDED.
- MINIMUM COUNTER TOP HEIGHT INSTALLATION IS 48".
- COUNTER TOP UNITS MUST BE INSTALLED WITH FACTORY SUPPLIED LEGS.
- INSTALLATION CLEARANCE:
 - 6" SIDE WALL OR TOP CABINETS
 - 0" REAR WALL (REAR WALL MUST BE NON-COMBUSTIBLE AND UNIT MUST BE INSTALLED USING OUR WALL MOUNT BRACKET)