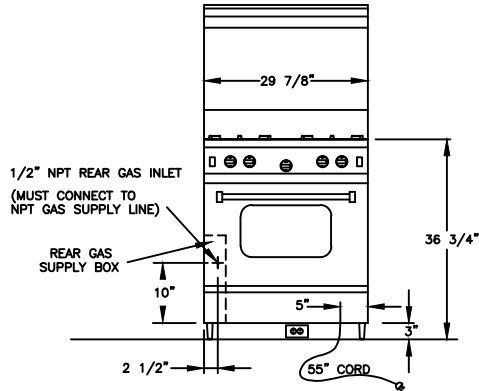
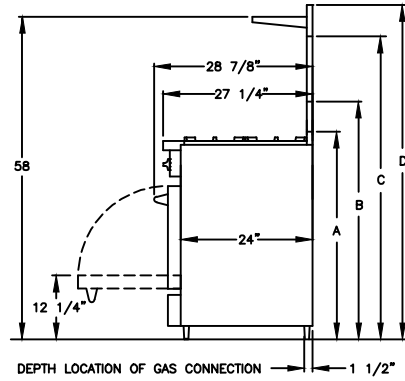


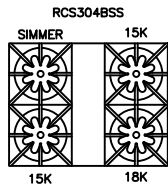
## BLUESTAR 30" RCS SERIES



ELECTRICAL CORD LOCATED IN BACK OF UNIT  
 LOCATION OF ELECTRICAL OUTLET MUST  
 NOT BE HIGHER THAN 3" FROM FLOOR IF LOCATED BEHIND  
 THE UNIT OR CAN BE LOCATED IN AN ADJOINING CABINET.



A - ISLAND TRIM HEIGHT - 38 1/4"  
 B - 6" STANDARD BACKGUARD HEIGHT - 43 1/4"  
 C - 17" BACKGUARD HEIGHT - 54 1/4"  
 D - HIGH SHELF BACKGUARD HEIGHT - 61"



### CONFIGURATIONS

#### SPECIFICATIONS:

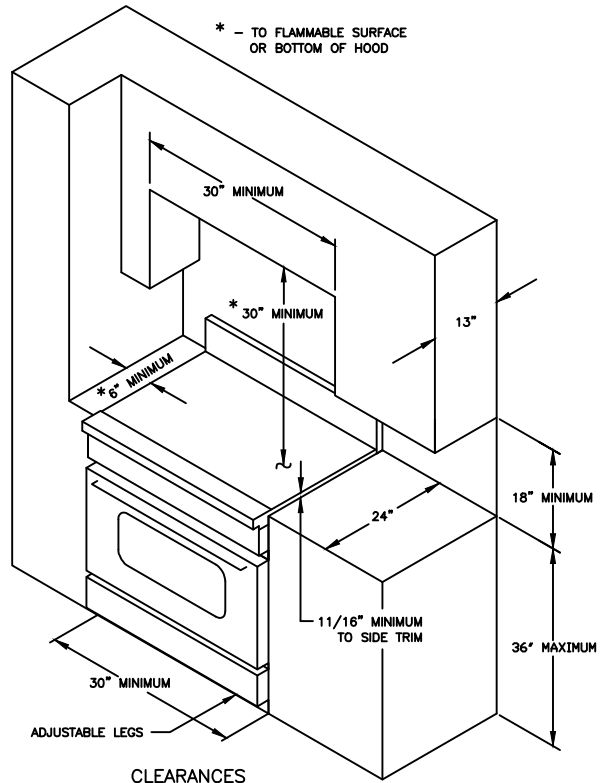
- OVEN INTERIOR: ----- 26.25"W x 20"D x 15"H
- SIMMER BURNER RATING ----- 9,000 BTU, 130°F
- TOP BURNER RATING ----- 15,000 BTU
- TOP POWER BURNER RATING ----- 18,000 BTU
- INFRARED BROILER RATING ----- 15,000 BTU
- OVEN BURNER RATING ----- 30,000 BTU
- ELECTRICAL REQUIREMENTS ----- 120V, 60Hz, 15 AMPS, 1 PH  
(UNIT MUST BE ON A NON-GFI, DEDICATED OUTLET)
- OPERATING GAS PRESSURE ----- NAT: 5.0" WC  
LP: 10.0" WC
- INSTALLATION CLEARANCE ----- 0" SIDE CABINET  
0" BACK WALL

#### OPTIONS

- CASTERS
- ADDITIONAL OVEN RACK
- FULL EXTENSION OVEN RACK

VISIT [www.bluestarcooking.com](http://www.bluestarcooking.com) FOR CUSTOM CONFIGURATIONS

File: 2011\_RCS30.dwg



#### CLEARANCES