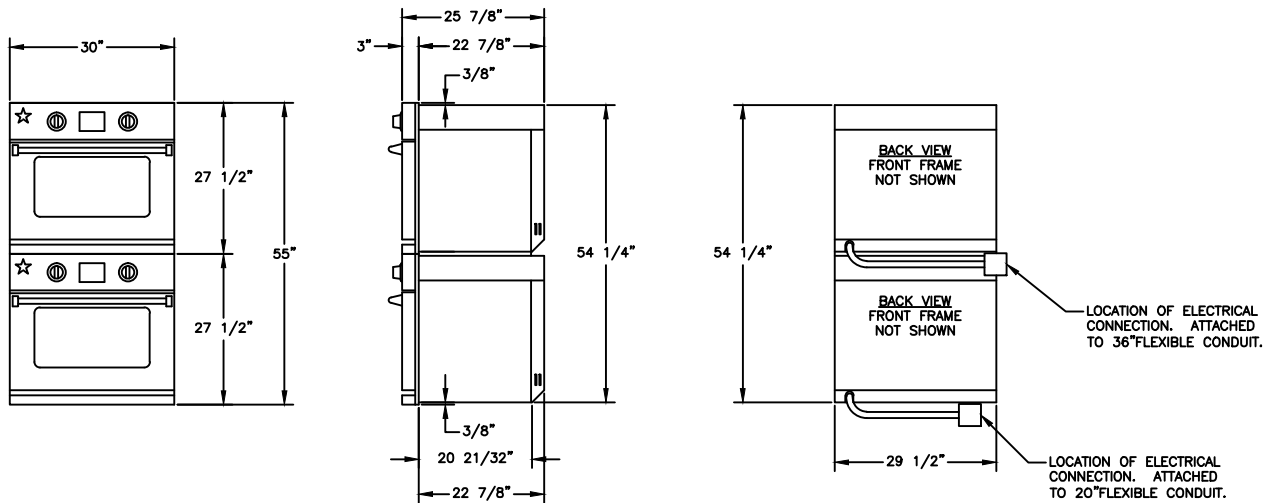
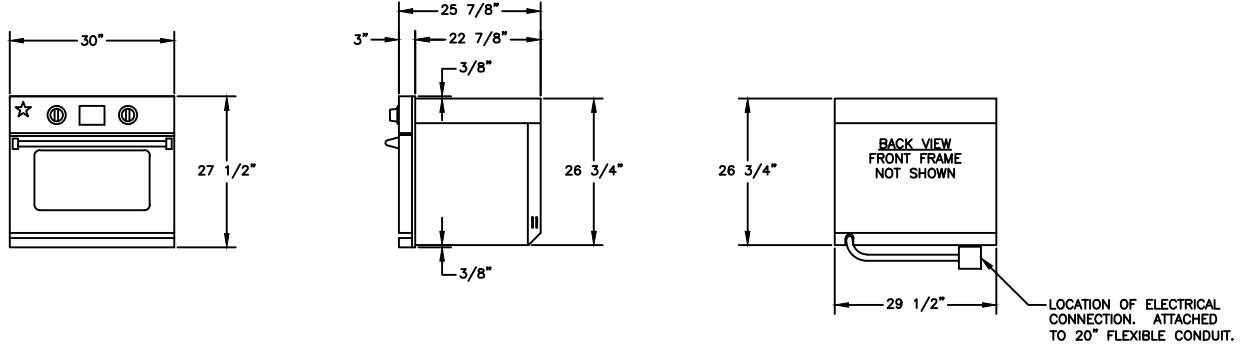


**BLUESTAR ELECTRIC WALL OVEN DROP DOOR 30"**

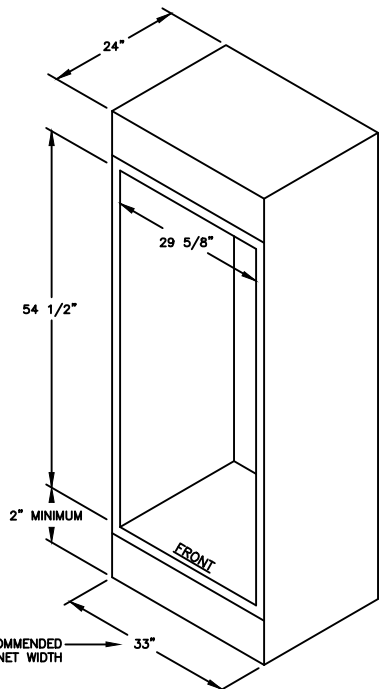
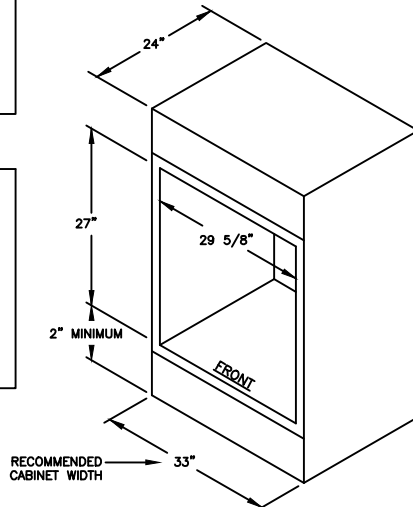
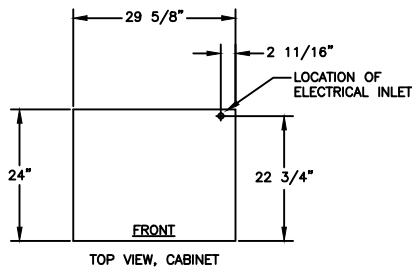


**SPECIFICATIONS:**

- OVEN INTERIOR:  
30" OVEN: ----- 26.25"W x 20"D x 15"H
- OVEN BAKE ELEMENT RATING --- 2600 WATTS
- OVEN BROILER ELEMENT RATING -- 5000 WATTS
- OVEN HEAT ASSIST ELEMENT --- 1800 WATTS
- ELECTRICAL REQUIREMENTS:  
EACH OVEN ----- 240V, 60Hz, 24 AMPS, 1 PH  
(UNIT MUST BE ON A NON-GFI, DEDICATED OUTLET)

**OPTIONS**

- ADDITIONAL OVEN RACK
- FULL EXTENSION OVEN RACK
- CUSTOM COLOR



**CLEARANCES**

VISIT [www.bluestarcooking.com](http://www.bluestarcooking.com) FOR CUSTOM CONFIGURATIONS