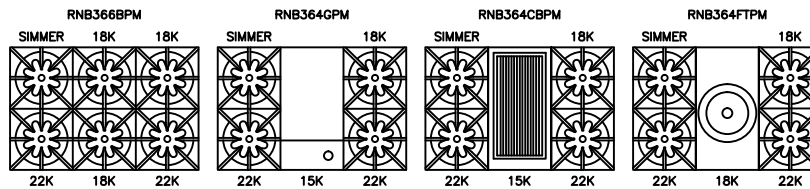
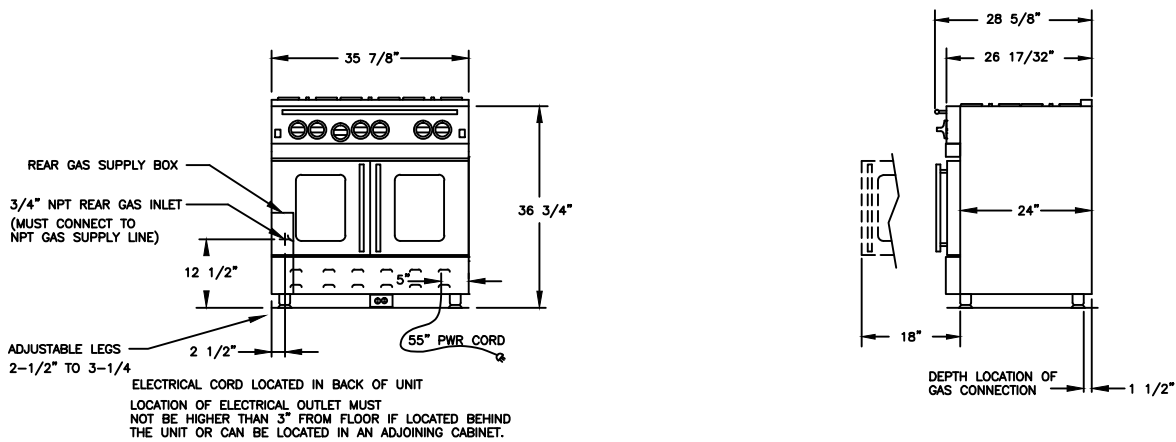


BLUESTAR 36" PRECIOUS METAL V2 SERIES



CONFIGURATIONS

SPECIFICATIONS:

- LARGE OVEN INTERIOR: - - - - - 29"W x 20"D x 15"H
- SIMMER BURNER RATING - - - - - 9,000 BTU, 130°F
- TOP NOVA BURNER RATING - - - - - 15,000 BTU
- TOP SUPERNOVA BURNER RATING - - - 18,000 BTU
- TOP PRIMANOVA BURNER RATING - - - 22,000 BTU

- 12" CHAR GRILL BURNER RATING - - - 15,000 BTU
- 12" GRIDDLE BURNER RATING - - - - 15,000 BTU
- FRENCH TOP BURNER RATING - - - - - 18,000 BTU

- LARGE OVEN BURNER RATING - - - - - 30,000 BTU
- OVEN INFRARED BROILER RATING - - - 15,000 BTU
- ELECTRICAL REQUIREMENTS - - - - - 120V, 60Hz, 15 AMPS, 1 PH
(UNIT MUST BE ON A NON-GFI, DEDICATED OUTLET)

- OPERATING GAS PRESSURE - - - - - NAT: 5.0" WC
LP: 10.0" WC
- INSTALLATION CLEARANCE - - - - - 0" SIDE CABINET
0" BACK WALL

OPTIONS

- CASTERS
- ADDITIONAL OVEN RACK
- FULL EXTENSION OVEN RACK

VISIT www.bluestarcooking.com FOR CUSTOM CONFIGURATIONS

File: 2015_RNB36PMV2.dwg

