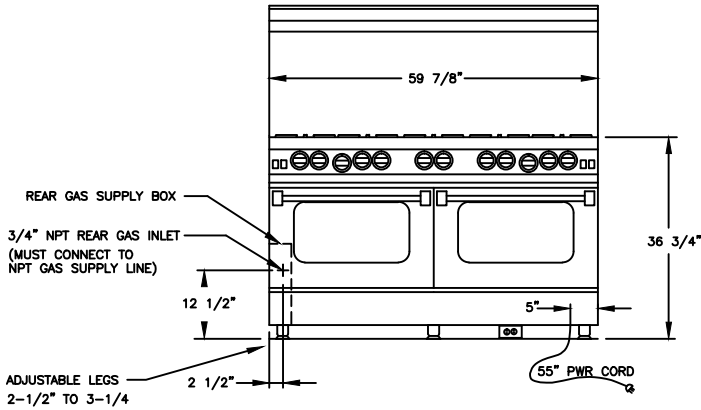
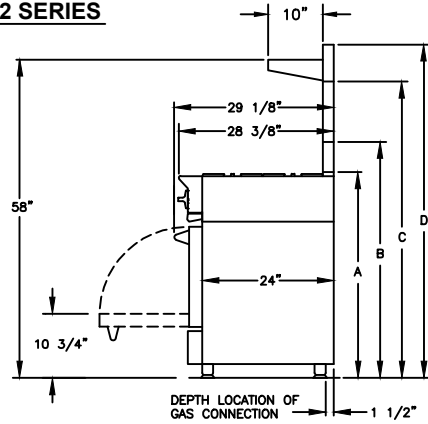


BLUESTAR 60" RNB V2 SERIES

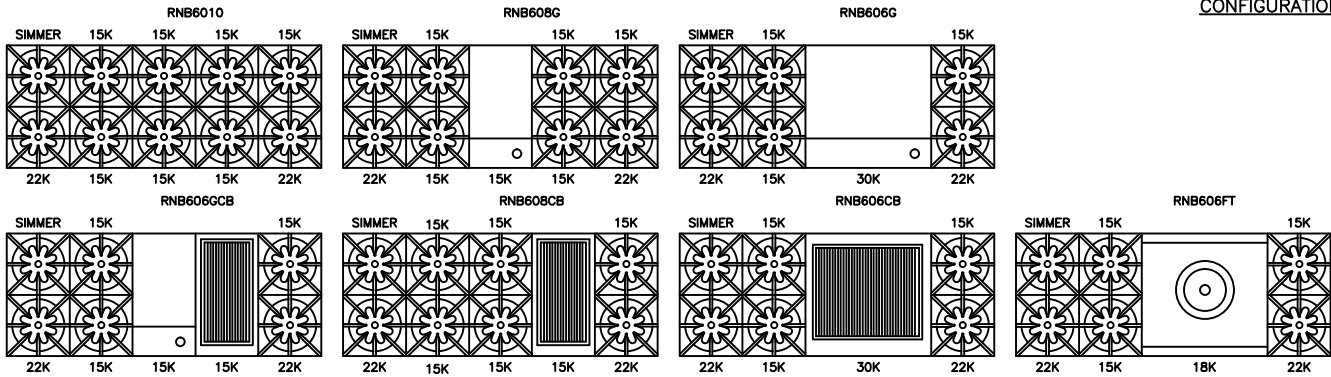


ELECTRICAL CORD LOCATED IN BACK OF UNIT
LOCATION OF ELECTRICAL OUTLET MUST NOT BE HIGHER THAN 3" FROM FLOOR IF LOCATED BEHIND THE UNIT OR CAN BE LOCATED IN AN ADJOINING CABINET.



A - ISLAND TRIM HEIGHT - 37 1/2"
B - 6" STANDARD BACKGUARD HEIGHT - 43"
C - 17" BACKGUARD HEIGHT - 54"
D - HIGH SHELF BACKGUARD HEIGHT - 60 3/4"

CONFIGURATIONS



SPECIFICATIONS:

- LARGE OVEN INTERIOR: - - - - - 26.25"W x 20"D x 15"H
- SIMMER BURNER RATING - - - - - 9,000 BTU, 130°F
- TOP NOVA BURNER RATING - - - - - 15,000 BTU
- TOP PRIMANOVA BURNER RATING - - - - - 22,000 BTU
- 12" CHAR GRILL BURNER RATING - - - - - 15,000 BTU
- 24" CHAR GRILL BURNER RATING - - - - - 30,000 BTU
- 12" GRIDDLE BURNER RATING - - - - - 15,000 BTU
- 24" GRIDDLE BURNER RATING - - - - - 30,000 BTU
- FRENCH TOP BURNER RATING - - - - - 18,000 BTU
- LARGE OVEN BURNER RATING - - - - - 30,000 BTU
- OVEN INFRARED BROILER RATING - - - - - 15,000 BTU
- ELECTRICAL REQUIREMENTS - - - - - 120V, 60Hz, 15 AMPS, 1 PH (UNIT MUST BE ON A NON-GFI, DEDICATED OUTLET)
- OPERATING GAS PRESSURE - - - - - NAT: 5.0" WC
LP: 10.0" WC
- INSTALLATION CLEARANCE - - - - - 0" SIDE CABINET
0" BACK WALL

OPTIONS

- CASTERS
- ADDITIONAL OVEN RACK
- FULL EXTENSION OVEN RACK
- 750+ CUSTOM COLORS AND FINISHES

VISIT www.bluestarcooking.com FOR CUSTOM CONFIGURATIONS

