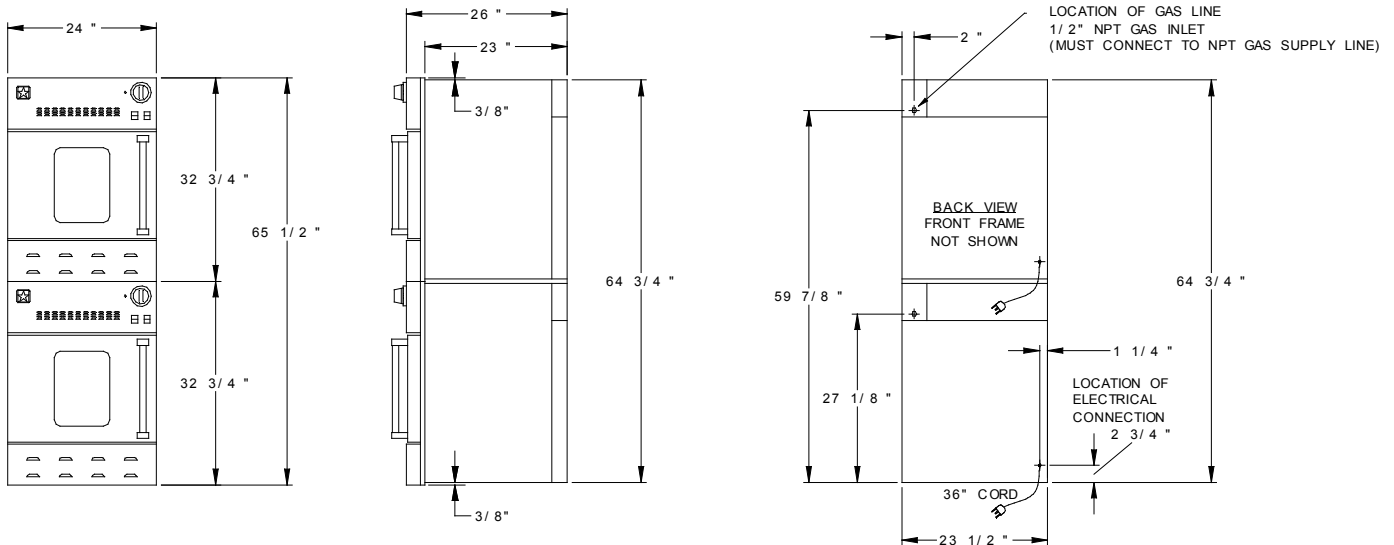
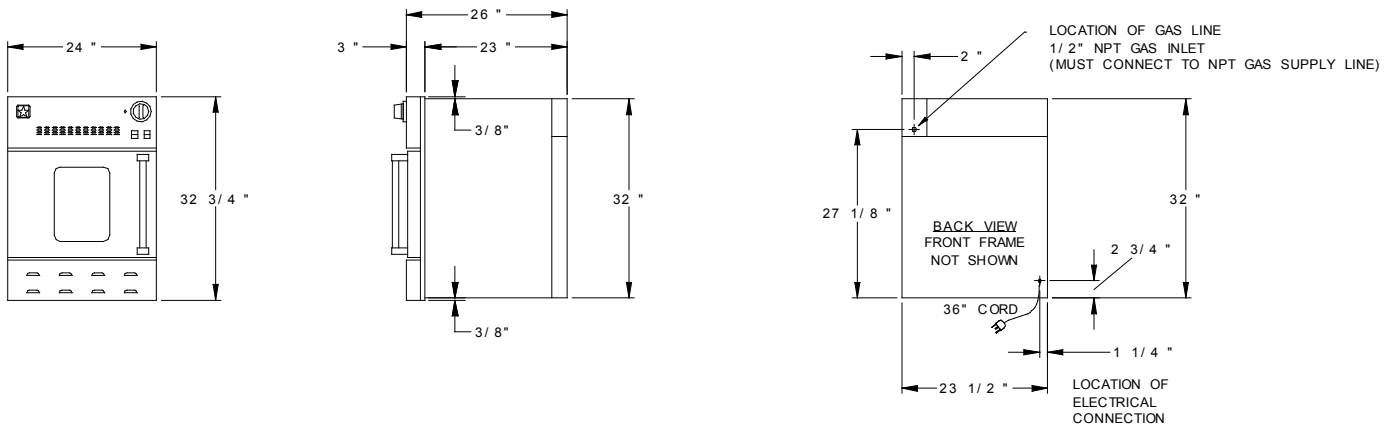


BLUESTAR WALL OVEN - 24"

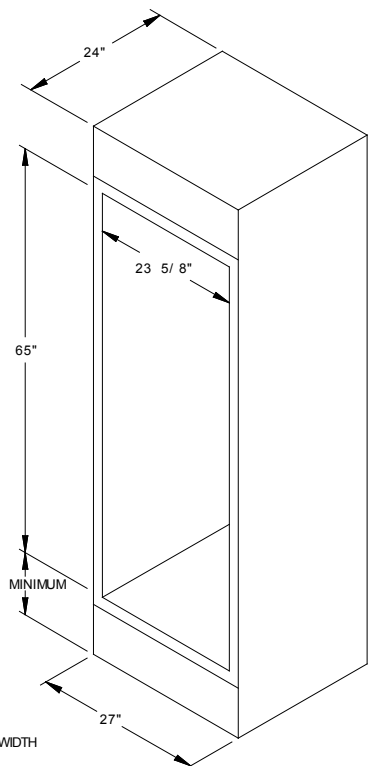
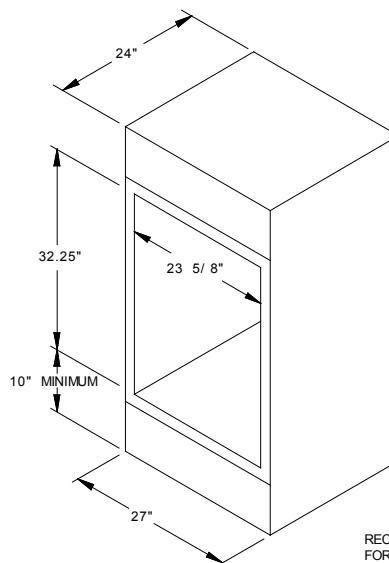
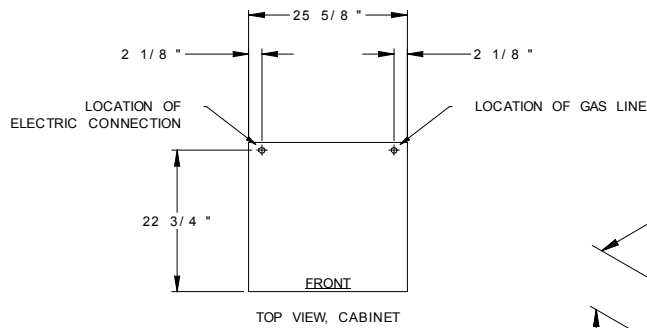


SPECIFICATIONS:

- OVEN INTERIOR: 20.25"W x 20"D x 15"H
- OVEN BURNER RATING: 25,000 BTU
- OVEN INFRARED BROILER RATING: 15,000 BTU
- OVEN HEAT ASSIST ELEMENT: 3,000 BTU
- EACH OVEN: ELECTRICAL REQUIREMENTS: 120V, 60Hz, 15 AMPS, 1 PH (UNIT MUST BE ON A NON-GFI, DEDICATED OUTLET)
- OPERATING GAS PRESSURE: NAT: 5.0" WC
LP: 10.0" WC

OPTIONS

- LEFT TO RIGHT SWING DOOR
- ADDITIONAL OVEN RACK
- FULL EXTENSION OVEN RACK
- CUSTOM COLOR



RECOMMENDED CABINET WIDTH FOR 24" OVEN IS 27"

CLEARANCES

VISIT www.bluestarcooking.com FOR CUSTOM CONFIGURATIONS