

BlueStar pro-style ventilation hoods offer enhanced power and performance to effectively remove smoke, odors and grease from your kitchen. Seamless design is paired with heavy-duty construction to offer uncompromised durability, functionality, and style. Customize with over 1,000+ colors for a unique kitchen statement.



### PRODUCT FEATURES

- Professional-grade performance with three exhaust settings and new Boost feature
- Innovative, multi-stage grease capture system
- Dimmable LED lighting
- Easy-to-use push button controls
- Stainless baffle filters seamlessly remove for easy dishwasher cleaning
- Whisper quiet operation
- Heavy duty, commercial-grade materials
- Choose from 1,000+ colors or classic stainless steel
- CFM Power Options: 600 & 1,200 In-hood, 800 & 1,200 In-line and 1,000 & 1,400 Remote (\*)
- Accommodates top or rear discharge
- Included duct cover heights: 6", 12", 18", 24" & 30"

\* See below for individual blower options by model

### MODELS AVAILABLE

30" Hampton Vent Hood	HA030MLPLT
36" Hampton Vent Hood	HA036MLPLT
42" Hampton Vent Hood	HA042MLPLT
48" Hampton Vent Hood	HA048MLPLT
54" Hampton Vent Hood	HA054MLPLT
60" Hampton Vent Hood	HA060MLPLT
66" Hampton Vent Hood	HA066MLPLT

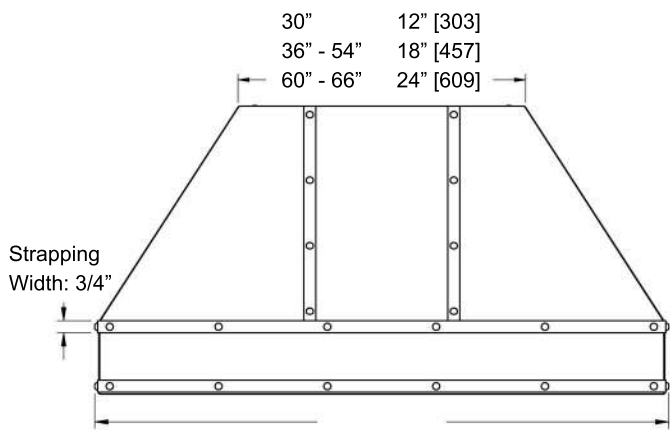
#### Customization Options:

- 1,000+ Colors & Finishes
- Designer Metals (\*)
- Customer Strapping & Rivets
- Full Custom Options

(\*) Trim finishes on Cooking & Refrigeration products are different substrates than the trim finishes on Ventilation Hoods. Due to these differing processes and substrates the finishes will coordinate but may not match entirely.

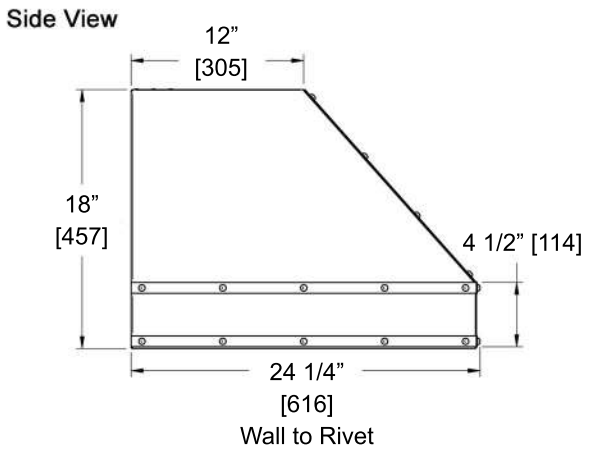
BLOWER OPTIONS	IN-HOOD		IN-LINE		REMOTE		DISCHARGE	
	600	1200	800	1200	1000	1400	TOP	REAR
MODEL #	BS-CFM-600-IN06	BS-CFM-1200-IN12	ATEX-0.8	ATEX-1.2	HYEX-1.0-GA	HYEX-1.4-GA		
HA030MLPLT	•		•	•	•	•	•	Available at time of order
HA036MLPLT	•	•	•	•	•	•	•	
HA042MLPLT	•	•	•	•	•	•	•	
HA048MLPLT	•	•	•	•	•	•	•	
HA054MLPLT	•	•	•	•	•	•	•	
HA060MLPLT	•	•	•	•	•	•	•	
HA066MLPLT	•	•	•	•	•	•	•	

Specifications subject to change without notice.



<b>Front View</b>	30"	29 7/8" [759]	54"	53 7/8" [1369]
<b>Rivet to Rivet</b>	36"	35 7/8" [911]	60"	59 7/8" [1521]
	42"	41 7/8" [1064]	66"	65 7/8" [1673]
	48"	47 7/8" [1216]		

BLOWER OUTLET INFORMATION		
	IN-HOOD (IN06 ONLY)	ALL OTHER BLOWERS
A (All Models)	11 9/16" [294]	11 1/8" [283]
B (HA030ML)	14 15/16" [379]	14 15/16" [379]
B (HA036ML)	17 15/16" [456]	17 15/16" [456]
B (HA042ML)	20 15/16" [532]	20 15/16" [532]
B (HA048ML)	23 15/16" [608]	23 15/16" [608]
B (HA054ML)	26 15/16" [684]	26 15/16" [684]
B (HA060ML)	29 15/16" [760]	29 15/16" [760]
B (HA066ML)	32 15/16" [837]	32 15/16" [837]
C (All Models)	5 9/16" [149]	6 1/6" [154]
D (All Models)	5 7/8" [149]	9 7/8" [251]
Size to Fit	Ø 6" Duct	Ø 10" Duct



- Note:**
- Dimensions shown in [ ] are in millimeters
  - All inch dimensions have been round to 1/16"
  - All millimeter dimensions have been round to 1mm
  - "All Other Blowers" - IN12 and Remote Blowers IL08, IL12, RE10 & RE14

