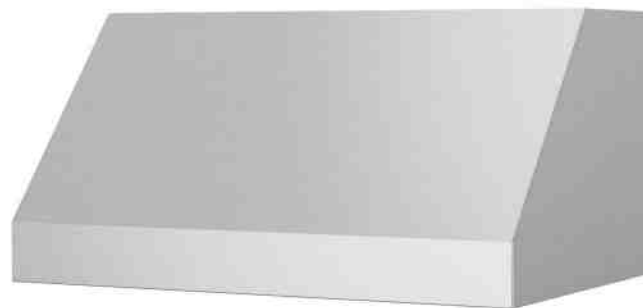


The BlueStar line of pro-style ventilation products are designed to clear the air of smoke, grease and odor. Seamless design is paired with heavy-duty construction to offer uncompromised durability, functionality and style. Customize with over 1,000+ colors and finishes to make a statement piece in any home kitchen.



PRODUCT FEATURES

- Professional-grade performance with three exhaust settings and new Boost feature
- Whisper quiet operation
- Heavy duty, commercial grade materials
- Dimmable LED lighting
- Easy-to-use push-button controls
- Innovative, multi-stage grease capture system
- Stainless baffle filters seamlessly remove for easy dishwasher cleaning
- Simple installation
- Accommodates top or rear discharge
- 24", 30" & 36" models: 600 CFM internal fan included
- Duct free recirculating kits available for 30", 36", 42" & 48" models

Blower Options:

In-hood Blowers: 600 & 1200CFM

In-line Blowers: 800 & 1200CFM

Remote Blowers: 1000 & 1400CFM

MODELS AVAILABLE

30" Incline Hood	IN030ML
36" Incline Hood	IN036ML
42" Incline Hood	IN042ML
48" Incline Hood	IN048ML
54" Incline Hood	IN054ML
60" Incline Hood	IN060ML
66" Incline Hood	IN066ML

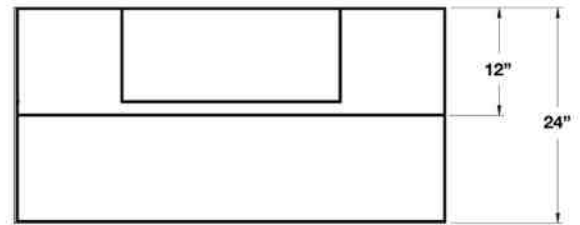
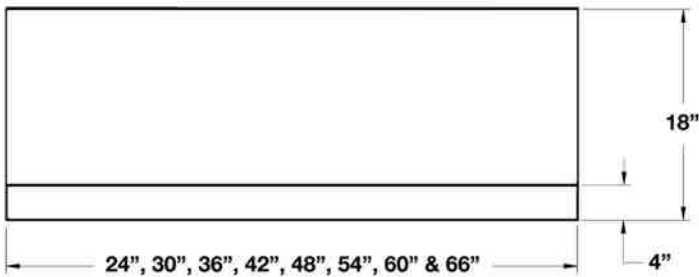
Customization Options:

- 1,000+ Colors & Finishes
- Designer Metals
- Custom Strapping & Rivets
- Full Custom Options

BLOWER OPTIONS	IN-HOOD		IN-LINE		REMOTE		DISCHARGE	
	600	1200	800	1200	1000	1400	TOP	REAR
MODEL #	BS-CFM-600	BS-CFM-1200	ATEX-0.8	ATEX-1.2	HYEX-1.0-GA	HYEX-1.4-GA		
IN030ML	*		*	*	*	*	*	*
IN036ML	*	*	*	*	*	*	*	*
IN042ML	*	*	*	*	*	*	*	*
IN048ML	*	*	*	*	*	*	*	*
IN054ML	*	*	*	*	*	*	*	*
IN060ML	*	*	*	*	*	*	*	*
IN066ML	*	*	*	*	*	*	*	*

Specifications subject to change without notice.

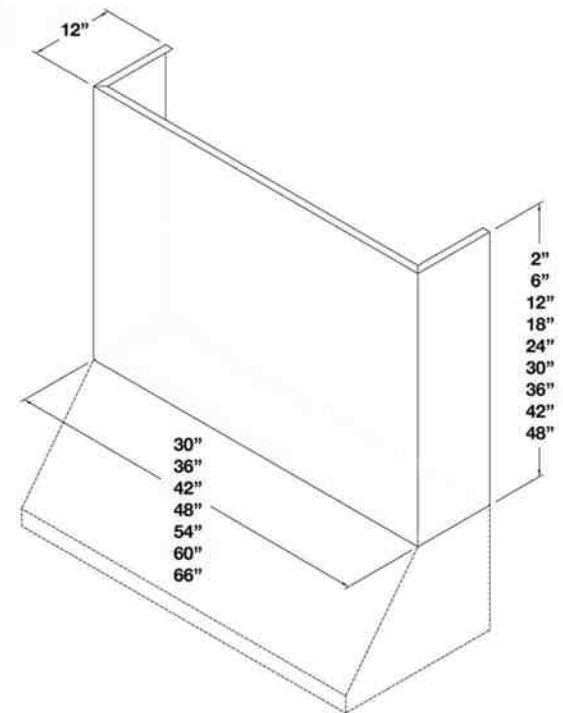
VENTILATION HOOD DIMENSIONS:



DUCT COVER OPTIONS:

"xx" designates width of hood in model number.

2" Duct Cover	DCSW0xx002
6" Duct Cover	DCSW0xx006
12" Duct Cover	DCSW0xx012
18" Duct Cover	DCSW0xx018
24" Duct Cover	DCSW0xx024
30" Duct Cover	DCSW0xx030
36" Duct Cover	DCSW0xx036
42" Duct Cover	DCSW0xx042
48" Duct Cover	DCSW0xx048



DUCT FREE RECIRCULATING KITS

Maximum CFM power with recirculating kits is 600 CFM. Kits sold separately.

PH-RHKP-30-SS	30" Recirculating Kit
PH-RHKP-36-SS	36" Recirculating Kit
PH-RHKP-42-SS	42" Recirculating Kit
PH-RHKP-48-SS	48" Recirculating Kit

PRODUCT INFORMATION:

APPEARANCE:

Style:	Pro-Style Canopy
Mounting Type:	Wall
Venting Type:	Ducted

ELECTRICAL:

3-prong, Non-GFCI Oor AFCI outlet - 120Volt, 10amp

Energy Star: No