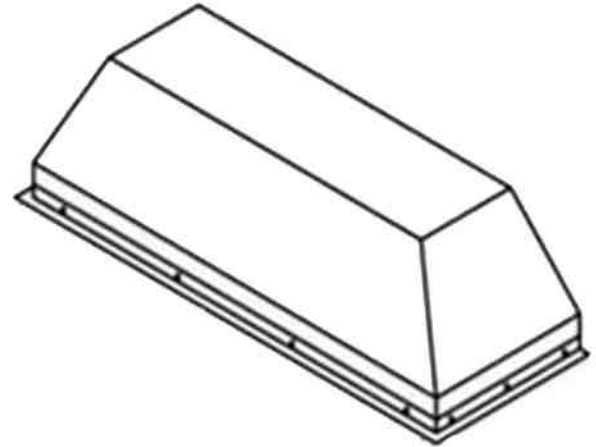


The BlueStar line of pro-style ventilation products are designed to clear the air of smoke, grease and odor. Seamless design is paired with heavy-duty construction to offer uncompromised durability, functionality and style.



PRODUCT FEATURES

- Professional-grade smoke removal
- 3-speed fan / variable light control
- Innovative multi-stage grease capture system
- Halogen lights
- Stainless baffle filters seamlessly remove for dishwasher safe cleaning
- Accommodates top or rear discharge
- Transition or collar included for installation
- 28" & 34" models: 600 CFM internal fan included

Blower Options:

In-hood Blowers: 600 & 1200CFM

In-line Blowers: 600 & 1200CFM

Remote Blowers: 1000 & 1400CFM

MODELS AVAILABLE

28" MLSS Liner	BS-MLSS-28-SS
34" MLSS Liner	BS-MLSS-34-SS
40" MLSS Liner	BS-MLSS-40-SS
46" MLSS Liner	BS-MLSS-46-SS
52" MLSS Liner	BS-MLSS-52-SS
58" MLSS Liner	BS-MLSS-58-SS
64" MLSS Liner	BS-MLSS-64-SS
70" MLSS Liner	BS-MLSS-70-SS

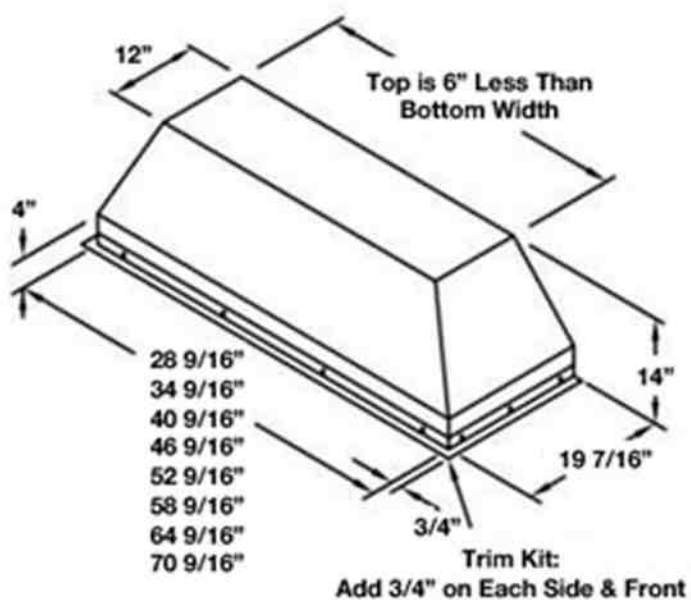
Customization Options:

None

BLOWER OPTIONS								
	IN-HOOD		IN-LINE		REMOTE		DISCHARGE	
	600	1200	600	1200	1000	1400	TOP	REAR
CFM POWER	600	1200	600	1200	1000	1400		
MODEL #	PH-CFM-600	PH-CFM-1200	PH-INLB600	PH-INBL1200	PH-1000CFMR	PH-1400CFMR		
28" Liners	*		*	*	*	*	*	*
34" Liners	*	*	*	*	*	*	*	*
40" Liners	*	*	*	*	*	*	*	*
46" Liners	*	*	*	*	*	*	*	*
52" Liners	*	*	*	*	*	*	*	*
58" Liners	*	*	*	*	*	*	*	*
64" Liners	*	*	*	*	*	*	*	*
70" Liners	*	*	*	*	*	*	*	*

Specifications subject to change without notice.

VENTILATION HOOD DIMENSIONS:



PRODUCT INFORMATION:

APPEARANCE:

Style: Metal Liner

Mounting Type: Wall

Venting Type: Ducted

ELECTRICAL:

120Volt, 10amp

Energy Star: No