

The Nova (RNB) Series of ranges feature restaurant-quality performance and nearly unlimited customization options. BlueStar's most customizable line, the Nova (RNB) Series is available with integrated griddles & charbroilers plus your choice of 1,000+ colors and finishes.

### PRODUCT FEATURES

- UltraNova power burner delivers 22,000 BTUs of intense heat
- Integrated cooktop options include griddles & charbroilers
- Gentle 130° simmer burner
- Extra-large convection oven that accommodates a full-size 18" x 26" commercial baking sheet
- 1850° infrared broiler
- Unmatched customization - choose from 1,000+ colors and 10 metal trim finishes
- Refined design and easier-to-clean cooktop
- 24" depth for compatibility with standard kitchen cabinetry
- Handcrafted in Pennsylvania since 1880

### SPECIFICATIONS

Range Dimensions: 35.875"W x 24"D x 36.75"H  
 Oven Interior: 29.25"W x 20"D x 15"H  
 Top Burner Rating: 22,000 BTUs  
 Simmer Burner Rating: 1,300 BTUs  
 Oven Burner Rating: 30,000 BTUs  
 Infrared Broiler Rating: 15,000 BTUs  
 Electrical Requirements: 120V, 60Hz, 15 AMPs, 1 PH  
 (Unit must be on a Non-GFI, dedicated outlet)  
 Operating Gas Pressure: NAT: 5.0" WC, LP: 10.0" WC  
 Incoming Gas Line: 1/2"  
 Installation Clearance: 0" Side Cabinet | 0" Back Wall

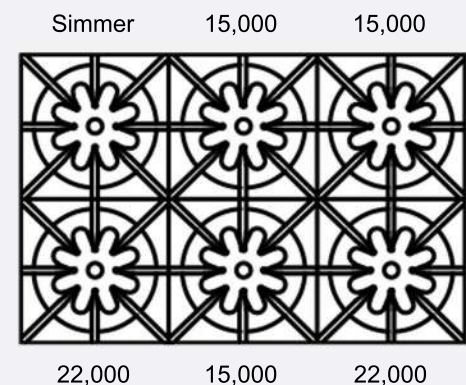


### MODEL CONFIGURATION

6 Burners

RNB366BV2

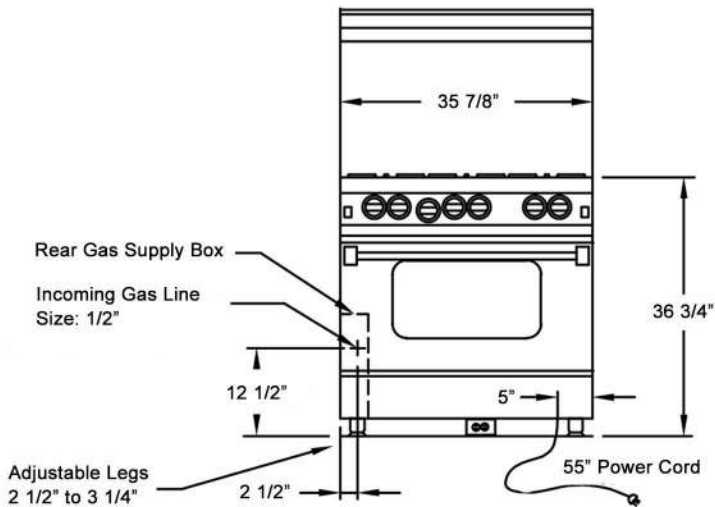
### BURNER CONFIGURATION



### ADDITIONAL CUSTOMIZATION OPTIONS

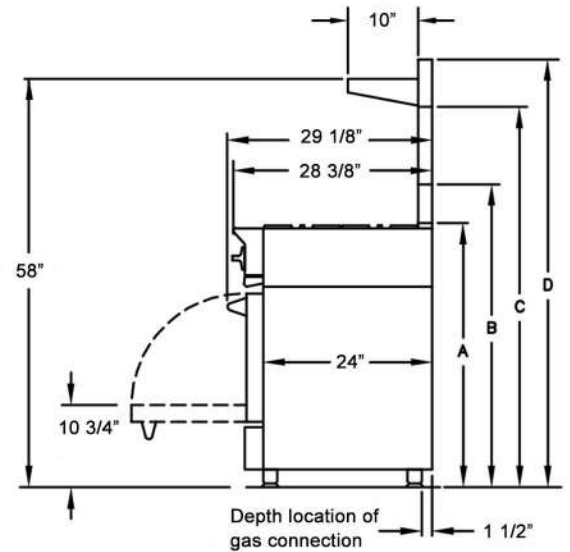
- 1,000+ Colors & finishes plus 10 designer trim options
- Painted knobs
- Backguard options
- Swing door

*All specifications subject to change without notice.  
 Visit [www.bluestarcooking.com](http://www.bluestarcooking.com) prior to site preparation or installation.*



Electrical cord located in back of unit

Location of electrical outlet must not be higher than 3" from floor if located behind the unit or can be located in an adjoining cabinet.



- (A) Island Trim Height 37 1/2"
- (B) 6" Backguard Height 43"
- (C) 17" Backguard Height 54"
- (D) High Shelf Height 60 3/4"

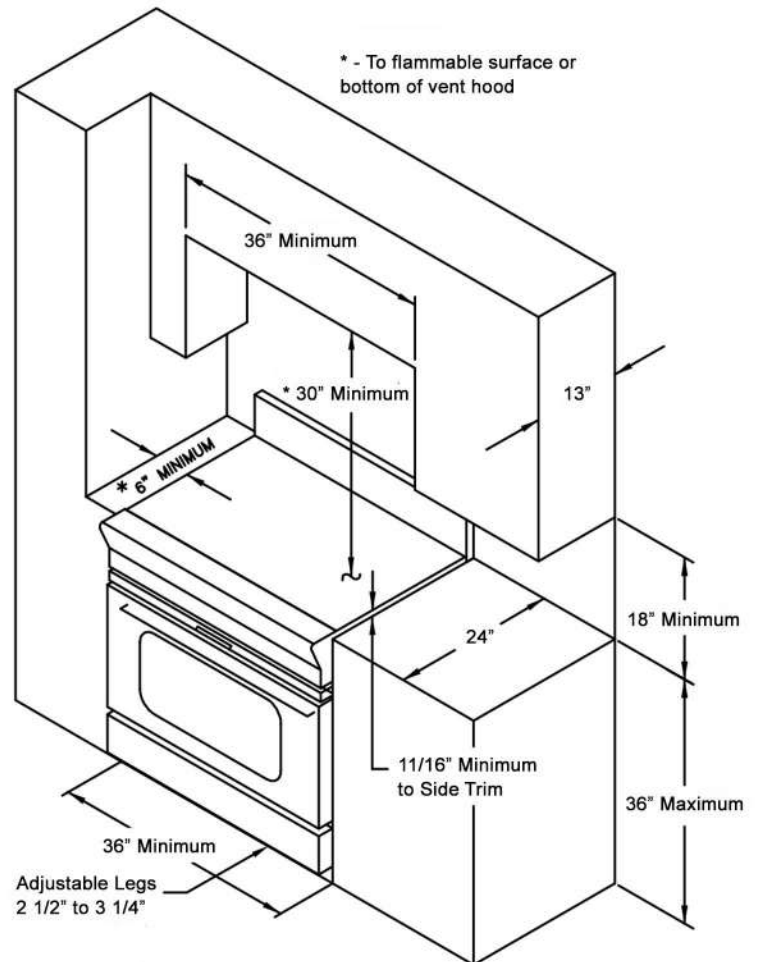
## RELATED PRODUCTS



**PRO Built-In Refrigeration**



**Designer Series Vent Hoods**



## CLEARANCES