

The newly redesigned RNB Series features restaurant quality performance and nearly unlimited customization options. BlueStar's most customizable line, the RNB Series is available with integrated griddles, charbroilers, French tops and swing doors plus your choice of over 750+ colors.

### PRODUCT FEATURES

- UltraNova™ power burner delivers 22,000 BTUs of intense heat
- Integrated cooktop options include griddles, charbroilers and French tops
- Gentle 130° simmer burner
- Extra-large convection oven that accommodates a full size 18" x 26" commercial baking sheet
- 1850° Infrared broiler
- Available in 750+ colors and finishes
- 24" depth for compatibility with standard kitchen cabinetry

### SPECIFICATIONS

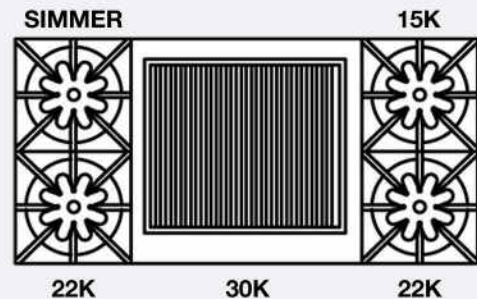
Range Dimensions: 47.875"W x 24"D x 36.75"H  
 Large Oven Interior: 29"W x 20"D x 15"H  
 Small Oven Interior: 12"W x 20"D x 15"H  
 Top Burner Rating: 22,000 BTUs  
 Simmer Burner Rating: 9,000 BTUs  
 24" Charbroiler Rating: 30,000 BTUs  
 Large Oven Burner Rating: 30,000 BTUs  
 Small Oven Burner Rating: 15,000 BTUs  
 Infrared Broiler Rating: 15,000 BTUs  
 Electrical Requirements: 120V, 60Hz, 15 AMPs, 1 PH  
 (Unit must be on a Non-GFI, dedicated outlet)  
 Operating Gas Pressure: NAT: 5.0" WC, LP: 10.0" WC  
 Gas Line Size: 3/4"  
 Installation Clearance: 0" Side Cabinet, 0" Back Wall



### MODEL CONFIGURATION

Four Burners RNB484CBV2  
 with 24" Charbroiler

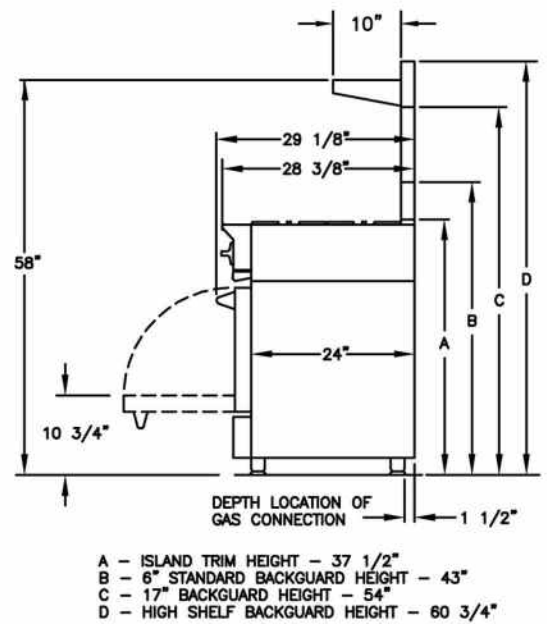
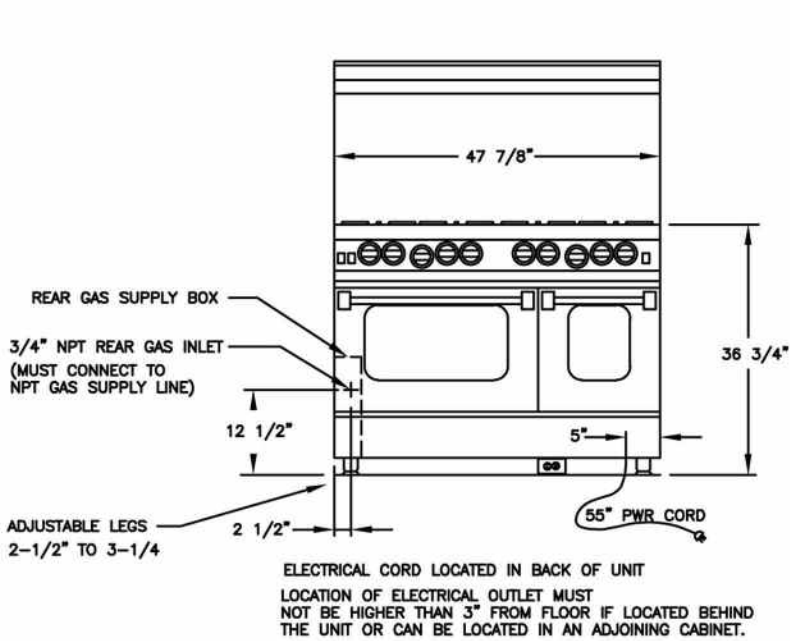
### BURNER CONFIGURATION



### ADDITIONAL CUSTOMIZATION OPTIONS

- Burner configurations
- Integrated cooktop options
- Door options
- Backguards
- Knob colors
- Trim options

*All specifications subject to change without notice.  
 Contact BlueStar Customer Service at (800) 449 - 8691  
 prior to installation or site preparation.*



## RELATED PRODUCTS

### VENTILATION



### SALAMANDER BROILER

