

Introducing the new BlueStar[®] Electric Wall Oven – the power, performance and quality of a BlueStar are now available in electric. Professional-level performance features make this oven the perfect addition to any chef's kitchen.

PRODUCT FEATURES

- Powerful 2,500 watt bake element plus 1,800 watt heat assist for faster preheat
- Commercial-grade 5,000 watt Infrared Broiler
- Built-in artisan baking stone with precise temperature control
- Extra-large oven with True European Convection
- Intuitive touch screen control panel with 12 cooking modes
- Precision temperature probe that provides perfect temperature control
- Eco-friendly Continu Clean feature continuously cleans the oven cavity

SPECIFICATIONS

Single Oven Dimensions: 30"W x 25.875"D x 27.5"H

Double Oven Dimensions: 30"W x 25.875"D x 55"H

Oven Interior: 26.25"W x 20"D x 15"H

Oven Bake Element: 2,600 watts

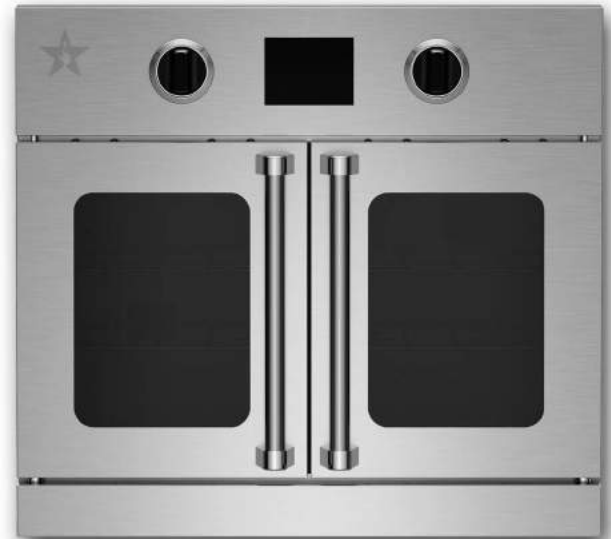
Oven Broiler Element: 5,000 watts

Oven Heat Assist Element: 1,800 watts

Electrical Requirements: 240V, 60Hz, 24 AMPs, 1 PH

(Unit must be on a Non-GFI, dedicated outlet)

Note: For French door models: Unit should be installed at least 6" from side wall to allow for proper operation.



MODEL CONFIGURATION

French Door Electric Wall Oven

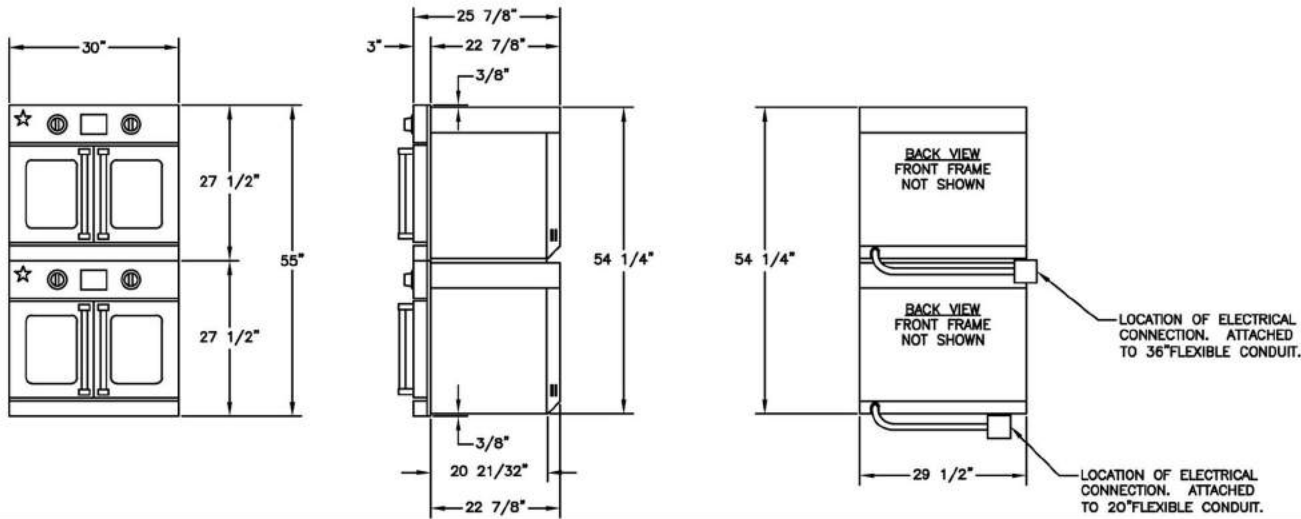
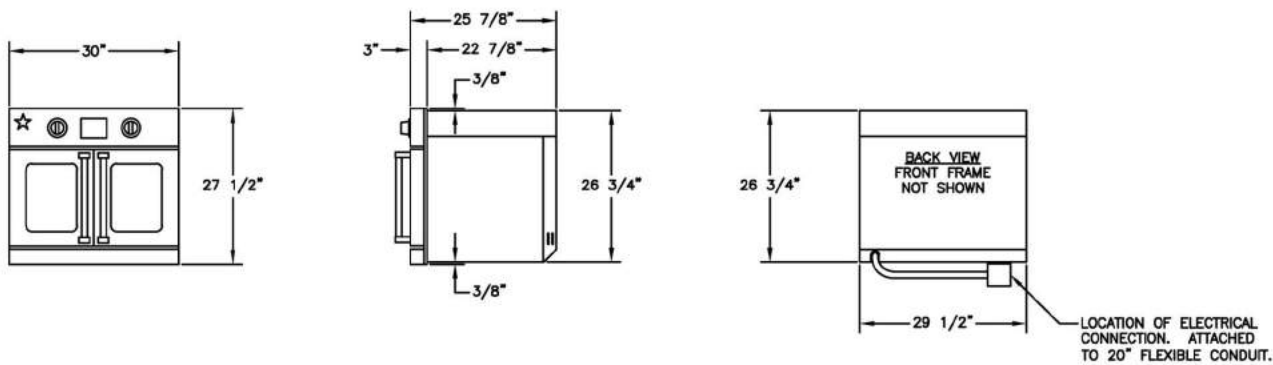
BSEWO30ECSD

For Double Electric Wall Oven configuration, order two Single Electric Wall Ovens and a 30" Electric Wall Oven stacking kit (EWOSTK-30).

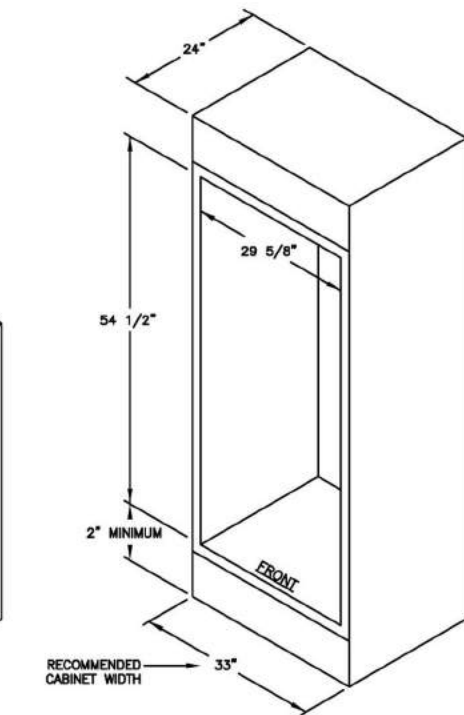
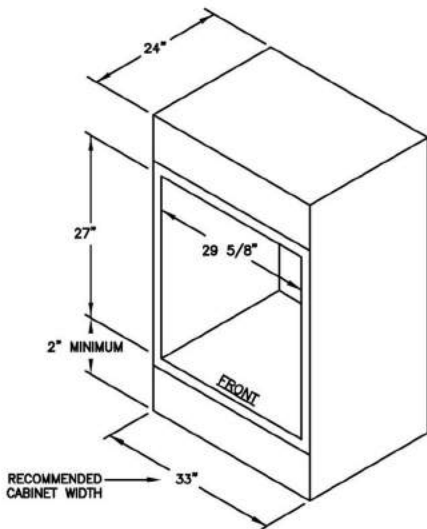
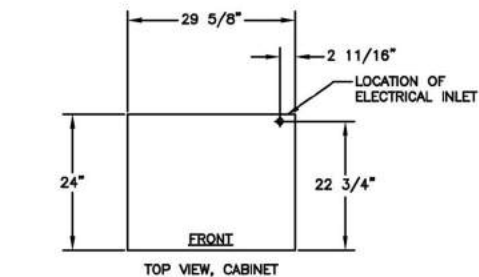
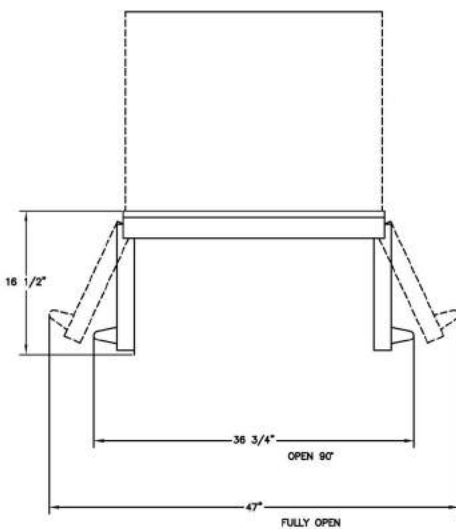
ADDITIONAL CUSTOMIZATION OPTIONS

- 750+ color options
- Knob colors
- Trim options

All specifications subject to change without notice. Visit www.bluestarcooking.com prior to site preparation or installation.



French Door Model
Open Door View



CLEARANCES