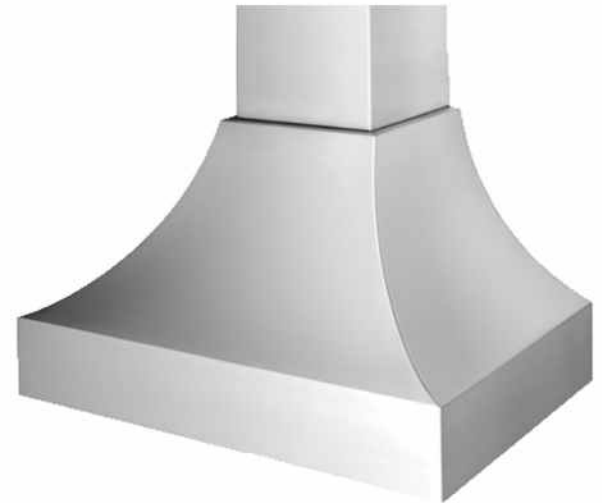


True to BlueStar's heritage as a manufacturer of commercial-quality cooking products for the home, we offer hood lines that combine heavy-duty construction with seamless design to offer uncompromised durability, functionality and beauty. BlueStar hoods are available in 30", 36", 42", 48", 54", 60" and 66" width sizes and peak at 1400CFM.



### PRODUCT FEATURES

- Handcrafted seamless construction with 16 gauge material
- Commercial style stainless steel baffle filter system
- Available in 750+ colors or Brushed Copper and Brushed Brass finishes
- Stainless steel internal liner with double wall construction
- 30" & 36" accommodates top discharge only. Over 42" specify top or rear discharge.
- 30" and 36" models include 300 or 600CFM in-hood blower
- Included duct heights: 10", 16", 22" & 28"

### MODEL CONFIGURATION

30" Hampton Wall Hood	BS-HAMP-30-xx
36" Hampton Wall Hood	BS-HAMP-36-xx
42" Hampton Wall Hood	BS-HAMP-42-xx
48" Hampton Wall Hood	BS-HAMP-48-xx
54" Hampton Wall Hood	BS-HAMP-54-xx
60" Hampton Wall Hood	BS-HAMP-60-xx
66" Hampton Wall Hood	BS-HAMP-66-xx

"xx" denotes metal finish. Stainless Steel (SS), Brushed Copper (BC) or Brushed Brass (BB)

### BLOWER OPTIONS

In-hood Blowers: 300, 600 & 1200CFM

In-line Blowers: 300, 600 & 1200CFM

Remote Blowers: 1000 & 1400CFM

*All specifications subject to change without notice. Contact BlueStar Customer Service at (800) 449 - 8691 prior to installation or site preparation.*

