

The newly redesigned electric wall oven featuring an enhanced touchscreen, industry-leading capacity, and unmatched customization is the perfect addition to any home cook's kitchen.

PRODUCT FEATURES

- New oversized, intuitive, full-color touchscreen with unique customization capabilities
- Extra-large oven capacity, overall capacity of 9.2 cu ft & industry leading usable capacity of 7.1 cu ft
- Built-in temperature-controlled baking stone for perfect artisan breads & pizzas
- Professional-level performance with 9 cooking modes plus temperature probe, delayed start, timed cook, warm, and Sabbath features
- Fits full-size commercial sheet pans & includes a full-extension rack
- Unmatched customization: choose from 1,000+ colors and 10 metal finishes or custom colors
- Easy to clean, 90-minute express cycle
- Handcrafted in Pennsylvania since 1880

SPECIFICATIONS

Oven Dimensions: 30"W x 25.875"D x 49 3/4"H

Oven Interior: 26.438"W x 20"D x 15"H

Top Oven Bake Element Rating: 2,500 watts

Top Oven Broiler Element Rating: 5,000 watts

Bottom Oven Bake Element Rating: 2,500 watts

Bottom Oven Broiler Element Rating: 2,500 watts

Oven Heat Assist Element Rating: 1,800 watts

Electrical Requirements: 240V, 60Hz, 50 AMPs, 1 PH

Overall Capacity: 9.18 cubic feet

Usable Capacity: Upper Oven 3.52 cu ft

Lower Oven 3.55 cu ft



MODEL CONFIGURATION

Double Electric Wall Oven

BSDEWO30SDV3

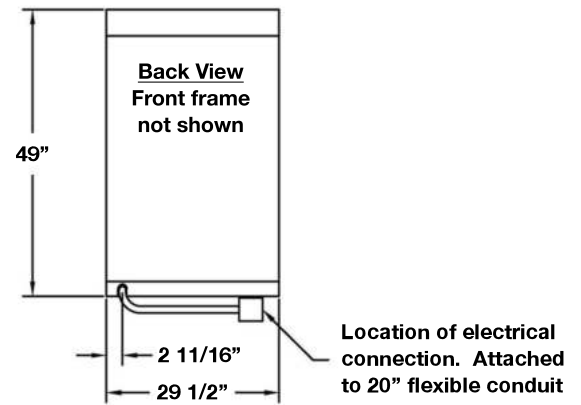
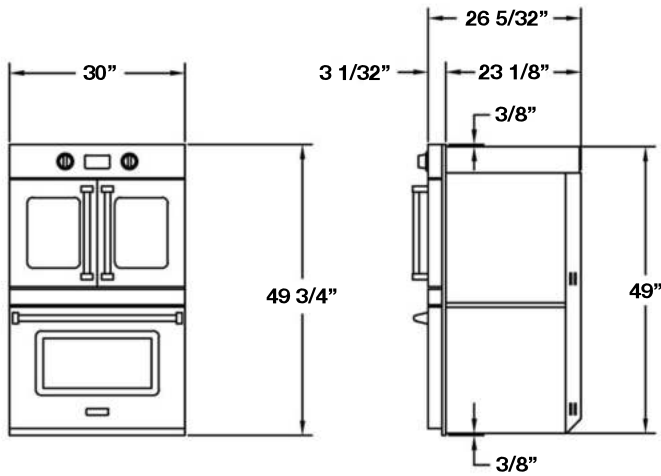
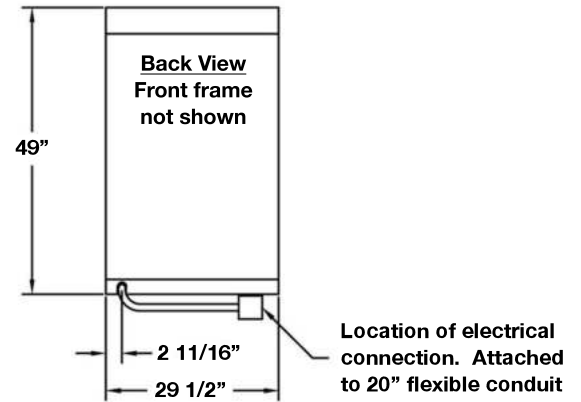
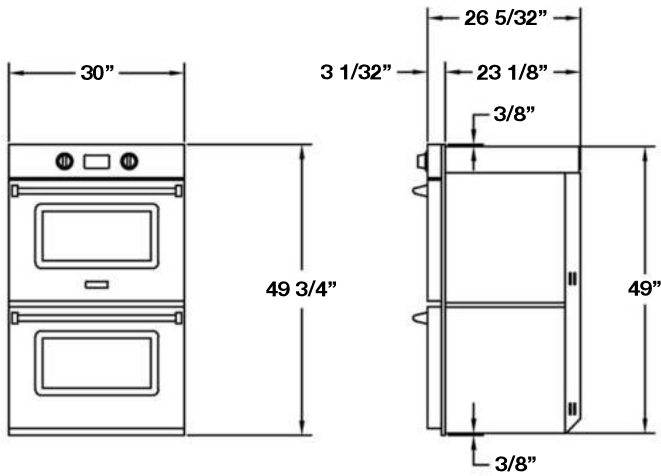
with French & Drop Down Doors

ADDITIONAL CUSTOMIZATION OPTIONS

- 1,000+ Colors & finishes
- Knob colors
- Trim options
- Custom touchscreen

All specifications subject to change without notice.

Visit www.bluestarcooking.com prior to site preparation or installation.



SPECIFICATIONS:

TOP OVEN:

- 30" OVEN: ----- 26.25"W x 20"D x 15"H
- OVEN BROILER ELEMENT RATING --- 5000 WATTS
- OVEN BAKE ELEMENT RATING --- 2500 WATTS
- OVEN HEAT ASSIST ELEMENT --- 1800 WATTS

BOTTOM OVEN:

- 30" OVEN: ----- 26.25"W x 20"D x 15"H
- OVEN BROILER ELEMENT RATING --- 2500 WATTS
- OVEN BAKE ELEMENT RATING --- 2500 WATTS
- OVEN HEAT ASSIST ELEMENT --- 1800 WATTS

- ELECTRICAL REQUIREMENTS --- 240V, 60Hz, 50 AMPS, 1 PH
(UNIT MUST BE ON A NON-GFI, DEDICATED OUTLET)

