

The NEW Freezer Column has been designed to offer exceptional food preservation, maximum storage & unmatched options for kitchen design and flexibility. With industry-leading capacity these integrated columns are perfect for every home kitchen.

PRODUCT FEATURES:

- Over-sized 8.22 cu. ft. capacity
- Stainless steel & glass interiors
- Available in panel-ready with available integrated stainless steel panels in your choice of 1000+ colors, all with flush installation
- Automatic ice maker with Super Ice function
- Easy-to-use touch control panel
- Extra-bright LED lighting
- Stainless steel full extension drawers
- Iron Clad Warranty: 2 years (full), 5 years (sealed system parts & labor) and 13 years (sealed system parts)
- Side by side kits included with all freezer models.

CONFIGURATIONS:

Right Swing Model Plus Stainless Steel Door Panel Accessory:

BIFP18R0	Panel Ready
CP18RH1	Right Door Panel Stainless Steel Std Trim
CP18RH1PLT	Right Door Panel Stainless Steel Plated Trim
CP18RH1C	Right Door Panel Std RAL Color Std Trim
CP18RH1CPLT	Right Door Panel Std RAL Color Plated Trim
CP18RH1CF	Right Door Panel Specialty Finish Std Trim
CP18RH1CFPLT	Right Door Panel Specialty Finish Plated Trim
CP18RH1CC	Right Door Panel Custom Color Std Trim
CP18RH1CCPLT	Right Door Panel Custom Color Plated Trim



Model: BIFP18R0



Model: BIFP18R0
with CP18RH1



Model: BIFP18R0
with CP18RH1CPLT

SPECIFICATIONS:

Dimensions:

- Panel Ready: 83 1/2"H x 17 1/2"W x 24 1/4"D
- * Overall depth does not include panel depth
- * Width includes connector brackets

Electrical Requirements: 115V, 60Hz, 15 AMP Circuit

(Unit must be on a Non-GFI, dedicated outlet)

Water Pressure: 35 - 120psi

Unit Capacity: 8.22 cu. ft.

Weight: 342 lbs.

Left Swing Model Plus Stainless Steel Door Panel Accessory:

BIFP18L0	Panel Ready
CP18LH1	Left Door Panel Stainless Steel Std Trim
CP18LH1PLT	Left Door Panel Stainless Steel Plated Trim
CP18LH1C	Left Door Panel Std RAL Color Std Trim
CP18LH1CPLT	Left Door Panel Std RAL Color Plated Trim
CP18LH1CF	Left Door Panel Specialty Finish Std Trim
CP18LH1CFPLT	Left Door Panel Specialty Finish Plated Trim
CP18LH1CC	Left Door Panel Custom Color Std Trim
CP18LH1CCPLT	Left Door Panel Custom Color Plated Trim

INSTALLATION DIMENSIONS: 18" PANEL READY MODELS

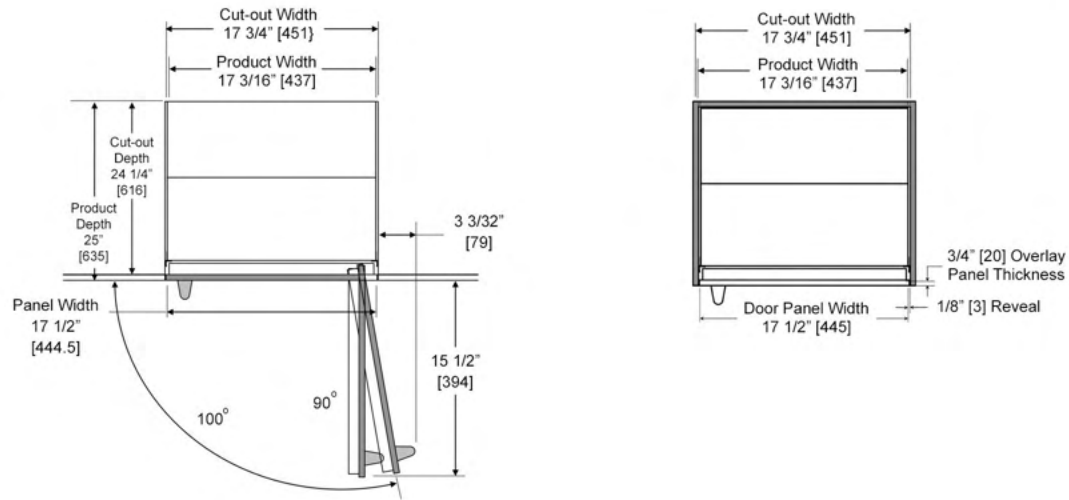
- (A) Recommended cut-out height 83 1/2" - 84"
- (B) Dimensions shown are with rollers in minimum position as shipped.
Unit can be raised 1" max.
- (C) Cut-out must have a finished return of at least 3 1/2" from the front.

Notes:

- Dimensions shown in [] are in millimeters.
- Product depth does not include 3/4" panel
- Cut-out dimensions are for frameless cabinet installations.

Installation Dimensions:

- Applicable to all 18" Panel Ready models.
- Dimensions are common for 18" Left Swing models.



PANEL DETAIL:

Each panel-ready BlueStar Column appliance is designed to be equipped with a decorative door panel. The table below illustrates the dimensions to be used as a guide in creating custom panels. At 79 7/8" (2029 mm) tall, they are designed for a toe-kick height of 4" (102 mm), and a total cutout height of 84" (2134 mm) yielding 1/8" (3 mm) reveals. At 3/4" (19 mm) deep, they are designed to attach to the 24 1/4" (616 mm) deep appliance for an overall depth of 25" (635 mm). Maximum allowed panel thickness is 1-1/8" (29 mm). 3/4" thick stainless and painted stainless panels with BlueStar handles can be purchased through BlueStar.

If the cabinet panels to be installed on panel ready units are of a rail and stile panel design, the location of mounting bracket hardware must still be 3/4" thick. A minimum vertical stile width of 3" on either side edge of the panel is recommended.

Description	H	W (1)	W (2)	Max. Panel Weight
18" Single Column	79 7/8" [2029]	17 1/2" [445]		75 lb each (34 kg)
18" & 24" Joined Columns	79 7/8" [2029]	17 1/2" [445]	23 1/2" [597]	75 lb each (34 kg)
18" & 30" Joined Columns	79 7/8" [2029]	17 1/2" [445]	29 3/8" [746]	75 lb each (34 kg)

