



**2021 DESIGN GUIDE**  
**18" COLUMN FREEZERS**

The NEW Freezer Column has been designed to offer exceptional food preservation, maximum storage & unmatched options for kitchen design and flexibility. With industry-leading capacity these integrated columns are perfect for every home kitchen.

### PRODUCT FEATURES:

- Over-sized 8.22 cu. ft. capacity
- Stainless steel & glass interiors
- Available in panel-ready, pro-style stainless steel or your choice of 1,000+ colors, all with flush installation
- Automatic ice maker with Super Ice function
- Easy-to-use touch control panel
- Extra-bright LED lighting
- Stainless steel full extension drawers
- Iron Clad Warranty: 2 years (full), 5 years (sealed system parts & labor) and 13 years (sealed system parts)
- Side by side kits included with all freezer models.

### CONFIGURATIONS:

#### Right Swing Models:

BIFP18R0	Panel Ready
BIF18R0	Stainless Steel   Standard Trim
BIF18R0PLT	Stainless Steel   Plated Trim
BIF18R0C	Standard RAL Color   Standard Trim
BIF18R0CPLT	Standard RAL Color   Plated Trim
BIF18R0CF	Specialty Finish   Standard Trim
BIF18R0CFPLT	Speciality Finish   Plated Trim
BIF18R0CC	Custom Color   Standard Trim
BIF18R0CCPLT	Custom Color   Plated Trim



Model: BIFP18R0



Model: BIF18R0



Model: BIF18R0CPLT

### SPECIFICATIONS:

#### Dimensions:

- Standard Door: 83 1/2"H x 17 1/2"W x 25 1/4"D
- Panel Ready: 83 1/2"H x 17 1/2"W x 24 1/4"D
- \* Overall depth does not include panel depth
- \* Width includes connector brackets

Electrical Requirements: 115V, 60Hz, 15 AMP Circuit  
(Unit must be on a Non-GFI, dedicated outlet)

Water Pressure: 35 - 120psi

Unit Capacity: 8.22 cu. ft.

Weight: 342 lbs.

#### Left Swing Models:

BIFP18L0	Panel Ready
BIF18L0	Stainless Steel   Standard Trim
BIF18L0PLT	Stainless Steel   Plated Trim
BIF18L0C	Standard RAL Color   Standard Trim
BIF18L0CPLT	Standard RAL Color   Plated Trim
BIF18L0CF	Specialty Finish   Standard Trim
BIF18L0CFPLT	Speciality Finish   Plated Trim
BIF18L0CC	Custom Color   Standard Trim
BIF18L0CCPLT	Custom Color   Plated Trim

# INSTALLATION DIMENSIONS: PANEL READY MODELS

- (A) Recommended cut-out height 83 1/2" - 84"
- (B) Dimensions shown are with rollers in minimum position as shipped.  
Unit can be raised 1" max.
- (C) Cut-out must have a finished return of at least 3 1/2" from the front.

**Notes:**

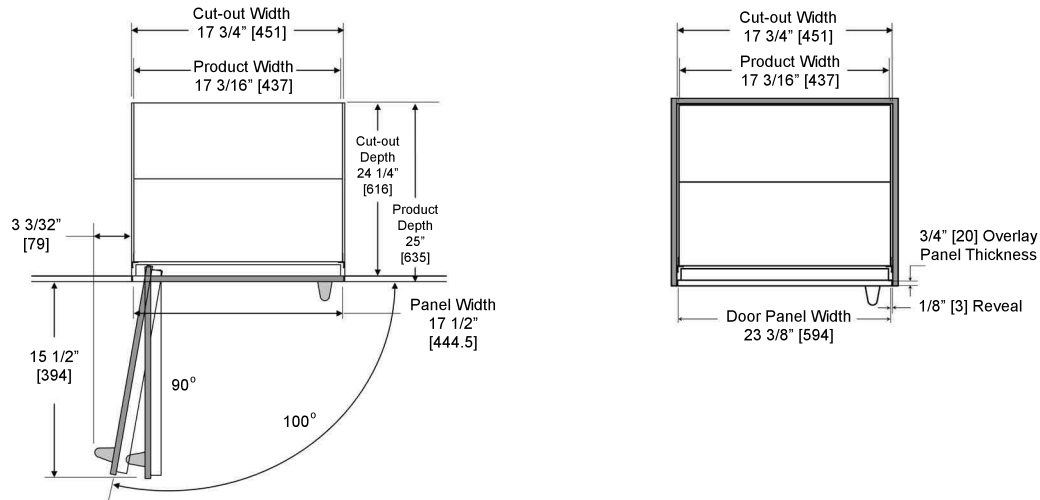
- Dimensions shown in [ ] are in millimeters.
- Product depth does not include 3/4" custom panel depth
- Cut-out dimensions are for frameless cabinet installations. Refer to column refrigeration design guide for face frame cabinet cut-out dimensions.

**Installation Dimensions:**

**18" Panel Ready Freezer - Left Swing**

**Applicable Models:**

- BIRFP18L0

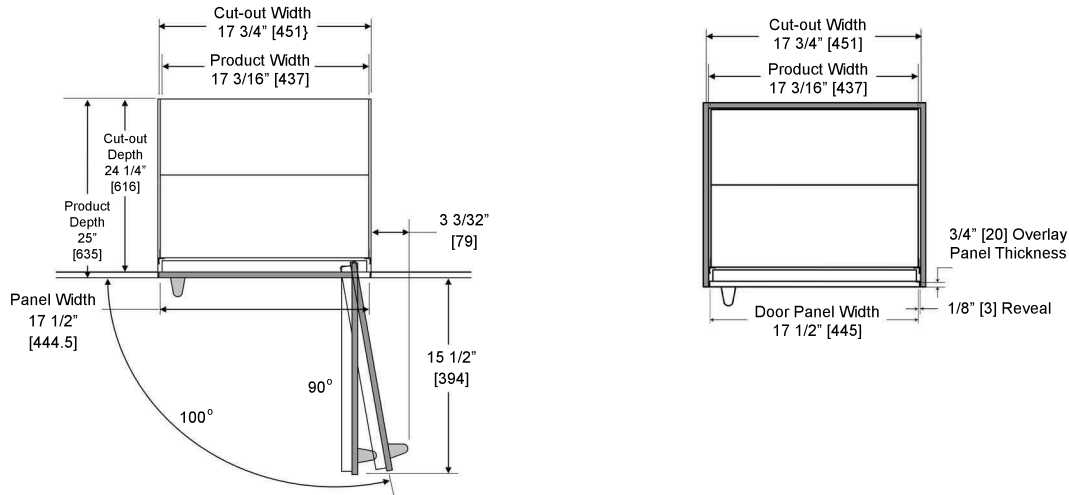


**Installation Dimensions:**

**18" Panel Freezer - Right Swing**

**Applicable Models:**

- BIFP18R0



**Installation Dimensions:**

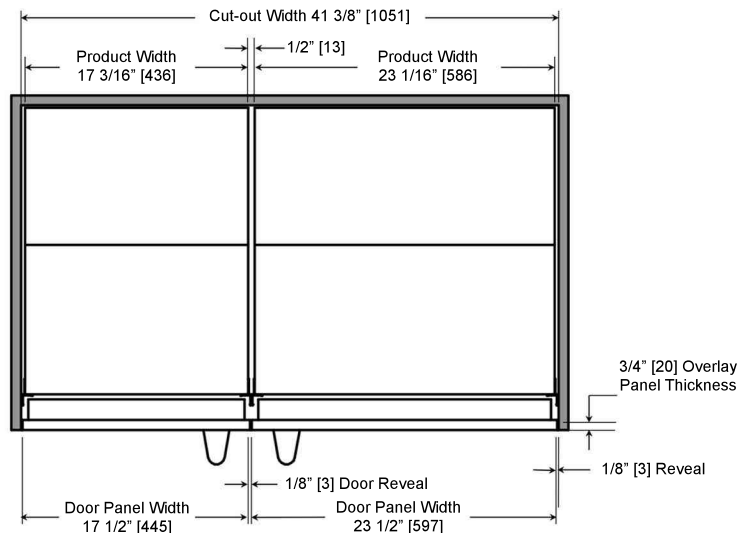
**18" Panel Ready Freezer & 24" Panel Ready Refrigerator**

**Applicable Models:**

- BIRP24
- BIFP18

Dimensions apply to the following model combinations:

- 18" Unit Left Hinge and 24" Unit Right Hinge
- 24" Unit Left Hinge and 18" Unit Right Hinge



# INSTALLATION DIMENSIONS: PANEL READY MODELS

- (A) Recommended cut-out height 83 1/2" - 84"
- (B) Dimensions shown are with rollers in minimum position as shipped.  
Unit can be raised 1" max.
- (C) Cut-out must have a finished return of at least 3 1/2" from the front.

**Notes:**

- Dimensions shown in [ ] are in millimeters.
- Cut-out dimensions are for frameless cabinet installations. Refer to column refrigeration design guide for face frame cabinet cut-out dimensions.

**Installation Dimensions:**

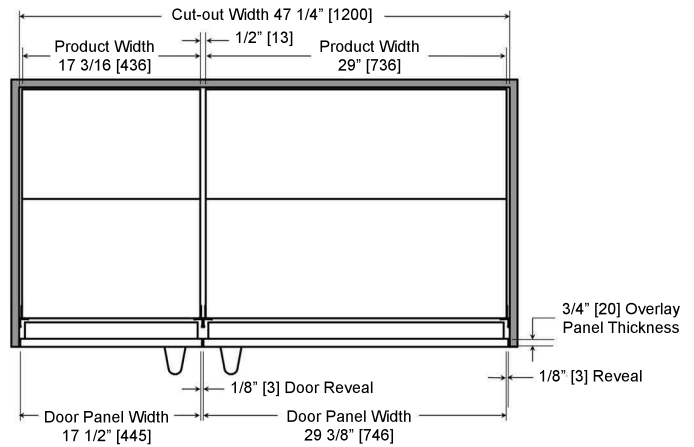
**30" Panel Ready Refrigerator  
& 18" Panel Ready Freezer**

**Applicable Models:**

- BIRP30
- BIFP18

**Dimensions apply to the following model combinations:**

- 30" Unit Left Hinge and 18" Unit Right Hinge
- 18" Unit Left Hinge and 30" Unit Right Hinge

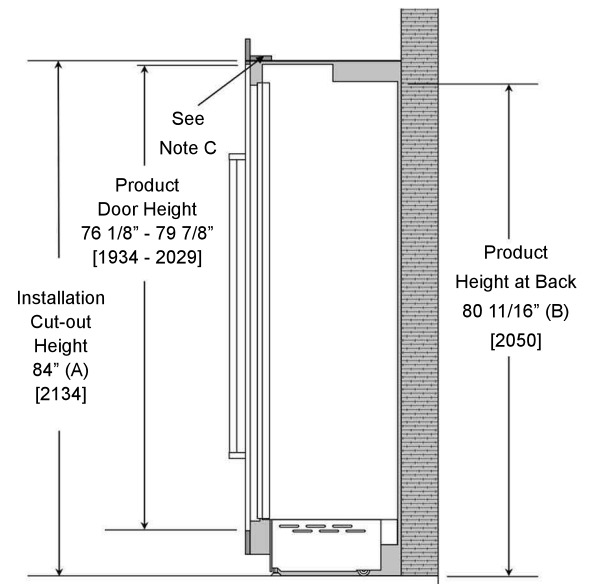


**Installation Dimensions:**

**18", 24" & 30" Models with Panel Ready Door**

**Notes:** Dimensions shown in [ ] are in millimeters

- (A) Recommended cut-out height 83 1/2" - 84"
- (B) Dimensions shown are with rollers in minimum position as shipped.  
Units can be raised 1" max.
- (C) Cut-out must have a finished return of at least 3 1/2" from the front.



# INSTALLATION DIMENSIONS: STANDARD DOOR MODELS

- (A) Cut-out must have a finished return of at least 3 1/2" from the front
- (B) Standard Door Installation: Cut-out must be a minimum depth of 25 3/8" [645] for a flush door installation. Cut-out must be minimum depth of 23 1/4" [591] to cover the sides of the unit.

**Notes:**

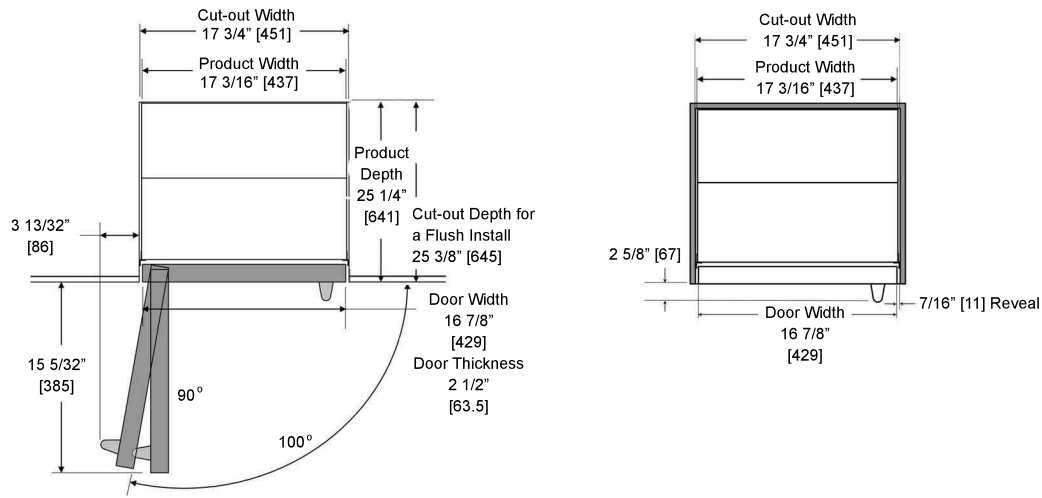
- Except where noted, dimensions shown are from cut-out to refrigerator.
- Dimensions shown in [ ] are in millimeters.
- Cut-out dimensions are for frameless cabinet installations. Refer to column refrigeration design guide for face frame cabinet cut-out dimensions.

**Installation Dimensions:**

**18" Freezer - Left Swing**

**Applicable Models:**

- All BIF18L0 Models

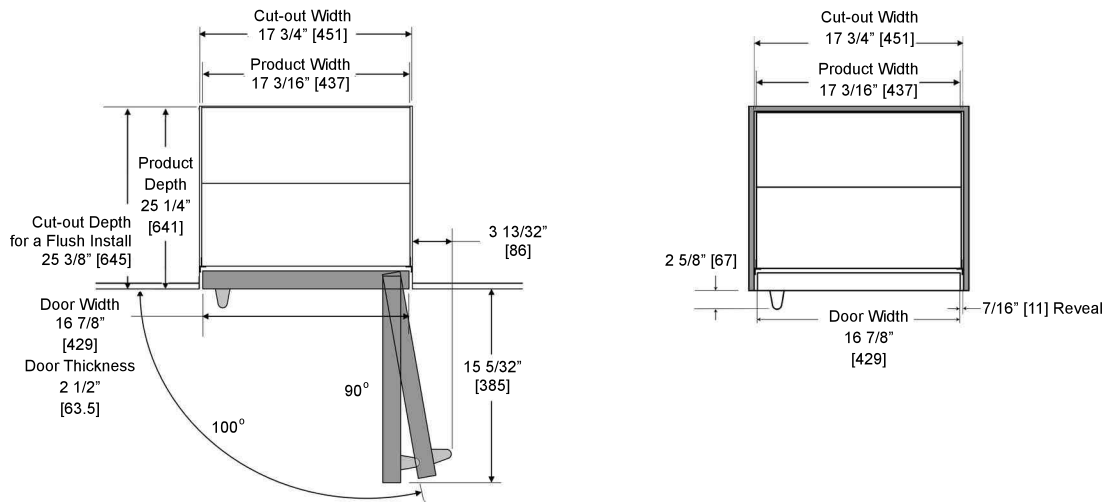


**Installation Dimensions:**

**18" Freezer - Right Swing**

**Applicable Models:**

- All BIF18R0 Models



**Installation Dimensions:**

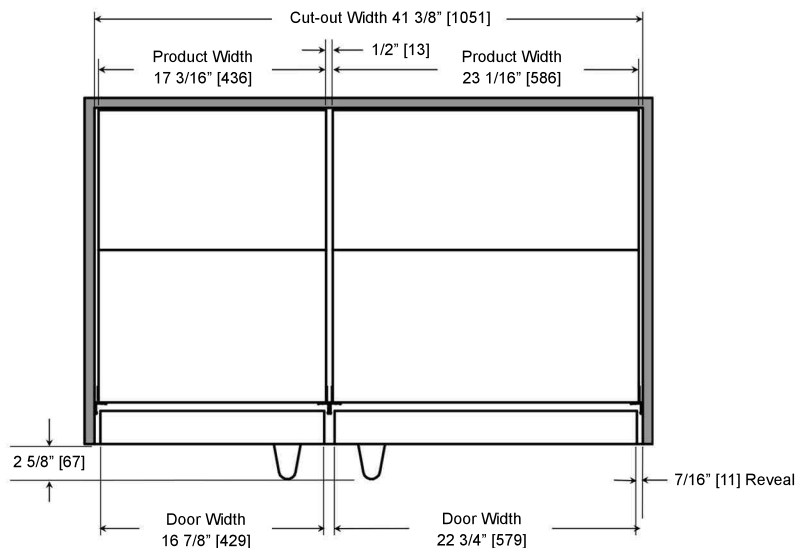
**18" Freezer & 24" Refrigerator**

**Applicable Models:**

- All BIR24 Models
- All BIF18 Models

Dimensions apply to the following model combinations:

- 18" Unit Left Hinge and 24" Unit Right Hinge
- 24" Unit Left Hinge and 18" Unit Right Hinge



# INSTALLATION DIMENSIONS: STANDARD DOOR MODELS

- (A) Cut-out must have a finished return of at least 3 1/2" from the front
- (B) Standard Door Installation: Cut-out must be a minimum depth of 25 3/8" [645] for a flush door installation. Cut-out must be minimum depth of 23 1/4" [591] to cover the sides of the unit.

**Notes:**

- Except where noted, dimensions shown are from cut-out to refrigerator.
- Dimensions shown in [ ] are in millimeters.
- Cut-out dimensions are for frameless cabinet installations. Refer to column refrigeration design guide for face frame cabinet cut-out dimensions.

**Installation Dimensions:**

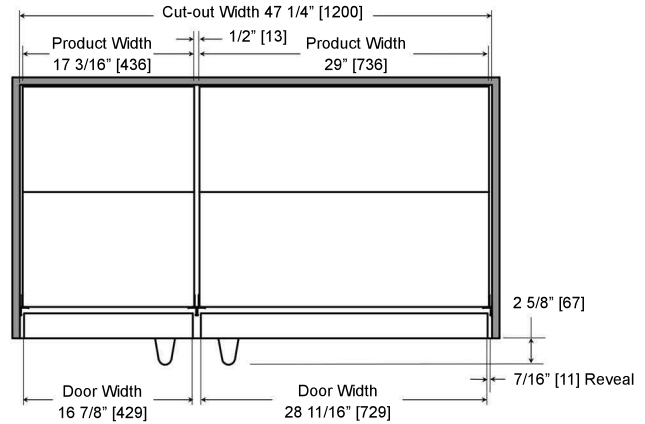
**18" Freezer & 30" Refrigerator**

**Applicable Models:**

- All BIR30 Models
- All BIF18 Models

Dimensions apply to the following model combinations:

- 18" Unit Left Hinge and 30" Unit Right Hinge
- 30" Unit Left Hinge and 18" Unit Right Hinge

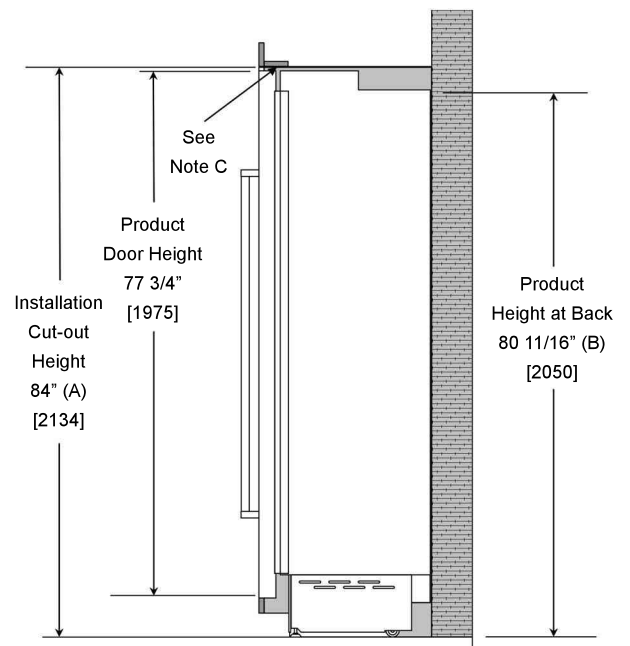


**Installation Dimensions:**

**18", 24" & 30" Models with Standard Door**

Notes: Dimensions shown in [ ] are in millimeters

- (A) Recommended cut-out height 83 1/2" - 84"
- (B) Dimensions shown are with rollers in minimum position as shipped.  
Units can be raised 1" max.
- (C) Cut-out must have a finished return of at least 3 1/2" from the front.



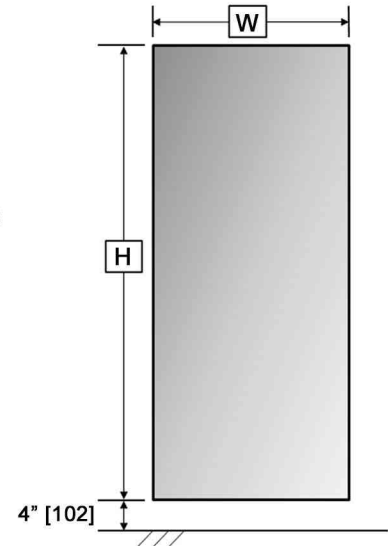
# PANEL & TOEKICK DETAIL: PANEL READY MODELS

## PANEL DETAIL:

Each panel-ready BlueStar Column appliance is designed to be equipped with a decorative door panel. The table below illustrates the dimensions to be used as a guide in creating custom panels. At 79 7/8" (2029 mm) tall, they are designed for a toekick height of 4" (102 mm), and a total cutout height of 84" (2134 mm) yielding 1/8" (3 mm) reveals. At 3/4" (19 mm) deep, they are designed to attach to the 24 1/4" (616 mm) deep appliance for an overall depth of 25" (635 mm). Maximum allowed panel thickness is 1-1/8" (29 mm).

If the cabinet panels to be installed on panel ready units are of a rail and stile panel design, the location of mounting bracket hardware must still be 3/4" thick. A minimum vertical stile width of 3" on either side edge of the panel is recommended.

Description	H	W (1)	W (2)	Max. Panel Weight
18" Single Column	79 7/8" [2029]	17 1/2" [445]		75 lb each (34 kg)
18" & 24" Joined Columns	79 7/8" [2029]	17 1/2" [445]	23 1/2" [597]	75 lb each (34 kg)
18" & 30" Joined Columns	79 7/8" [2029]	17 1/2" [445]	29 3/8" [746]	75 lb each (34 kg)



## TOEKICK & VENTING GRILL:

A forced air system assures ventilation through a grill positioned in the lower front part of the unit. Each BlueStar Column comes with a 8-1/2" (216 mm) tall stainless steel grille. A custom-made toekick that matches the surrounding cabinetry may be applied instead. It must be designed to maintain a satisfactory air flow, as described in the drawing below.

### Important:

Please recall that a panel should be installed at a minimum height of 4" (102 mm) from the floor to allow proper ventilation of the appliance. If required by the surrounding cabinetry design, the distance between the bottom edge of the door panel and the floor can be increased from approx. 4" (102 mm) up to 7-3/4" (197 mm) but should not be decreased. Minimum custom panel height is 76 1/8".

It is imperative that the venting grill remain unblocked to ensure proper functionality of the appliance and should be removable to allow for servicing and condenser cleaning.

If using a custom kickplate, the kickplate has to be ventilated with holes. Holes can be in any shape and size, as long as the total area equals 50% of the area defined by dimensions "A" and "B" below. Custom toe-kick panel may be attached using a fastening method deemed appropriate by the cabinet manufacturer/installer.

	Figure 1	Figure 2	
	18"	18" + 24"	18" + 30"
A	16 1/8" [410]	16 1/8" [410]	16 1/8" [410]
B	> 4" [100]		
C	3/8" [10]		
D	17 1/2" [444.5]	41 1/8" [1044]	47" [1194]
E		22" [559]	27 15/16" [710]

Figure 1

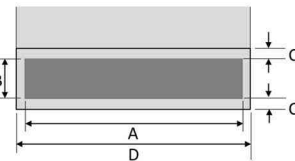
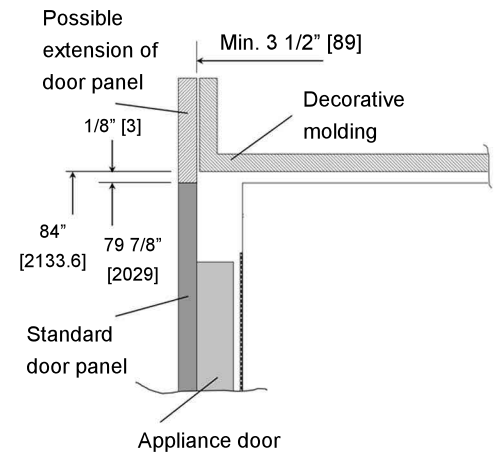
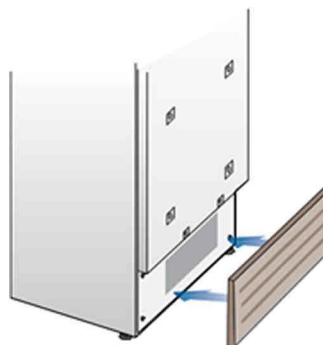
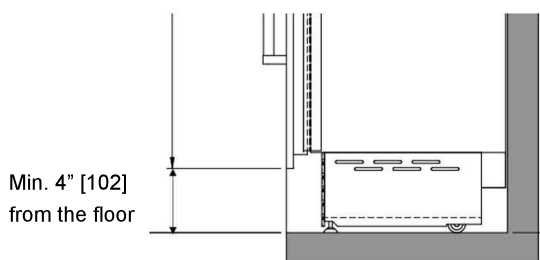
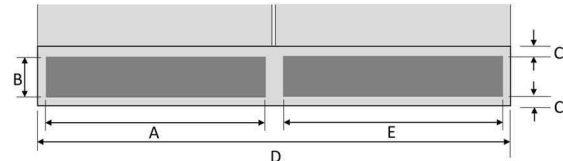


Figure 2

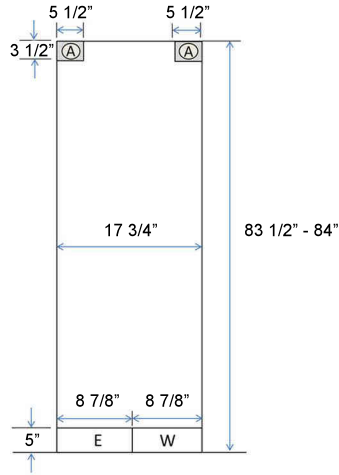


# SITE PREPARATION GUIDE

- Electrical:** The electrical outlet should be located in the area marked "E" and must be on a dedicated non-GFI 115V, 60Hz, 15 Amp circuit and accept a three-prong grounding plug.
- Plumbing:** The water line should be located in the area marked "W". Connect the water line to the house water supply with an easily accessible shut-off valve.
- Mounting:** "A" equals area to be left clear for anti-tip brackets. In addition, the plastic connecting brackets must be screwed to the cabinets all provided attachment points.

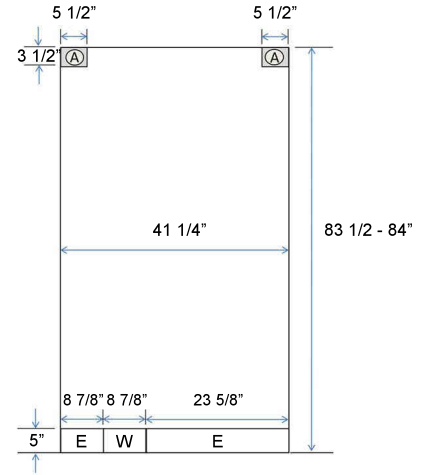
## 18" Column Freezer

- Model(s):
- BIF18 models
  - BIFP18 models



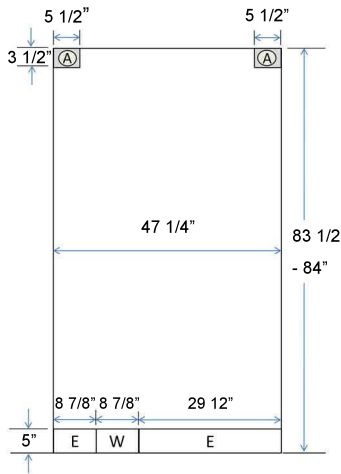
## 18" Column Freezer & 24" Column Refrigerator

- Model(s):
- BIF18 models
  - BIFP218 models
  - BIR24 models
  - BIRP24 models

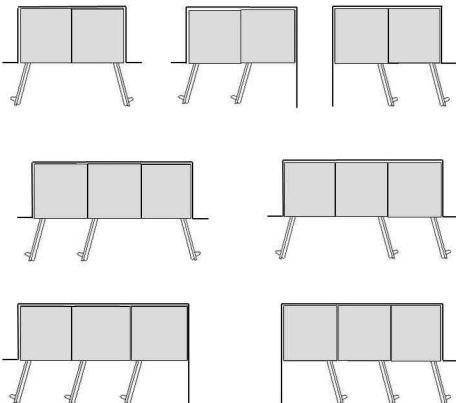


## 18" Column Freezer & 30" Column Refrigerator

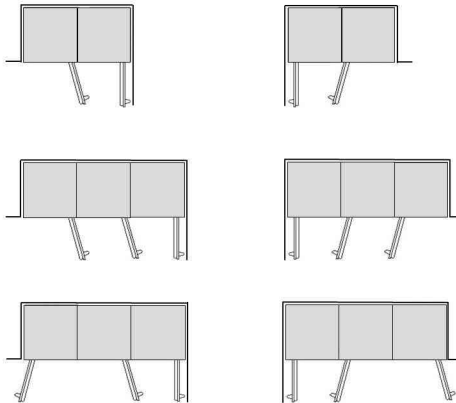
- Model(s):
- BIF18 models
  - BIFP18 models
  - BIR30 models
  - BIRP30 models



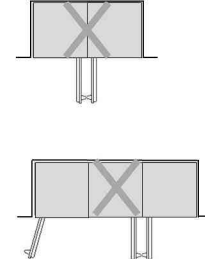
### Recommended Installations for Standard Door Swing:



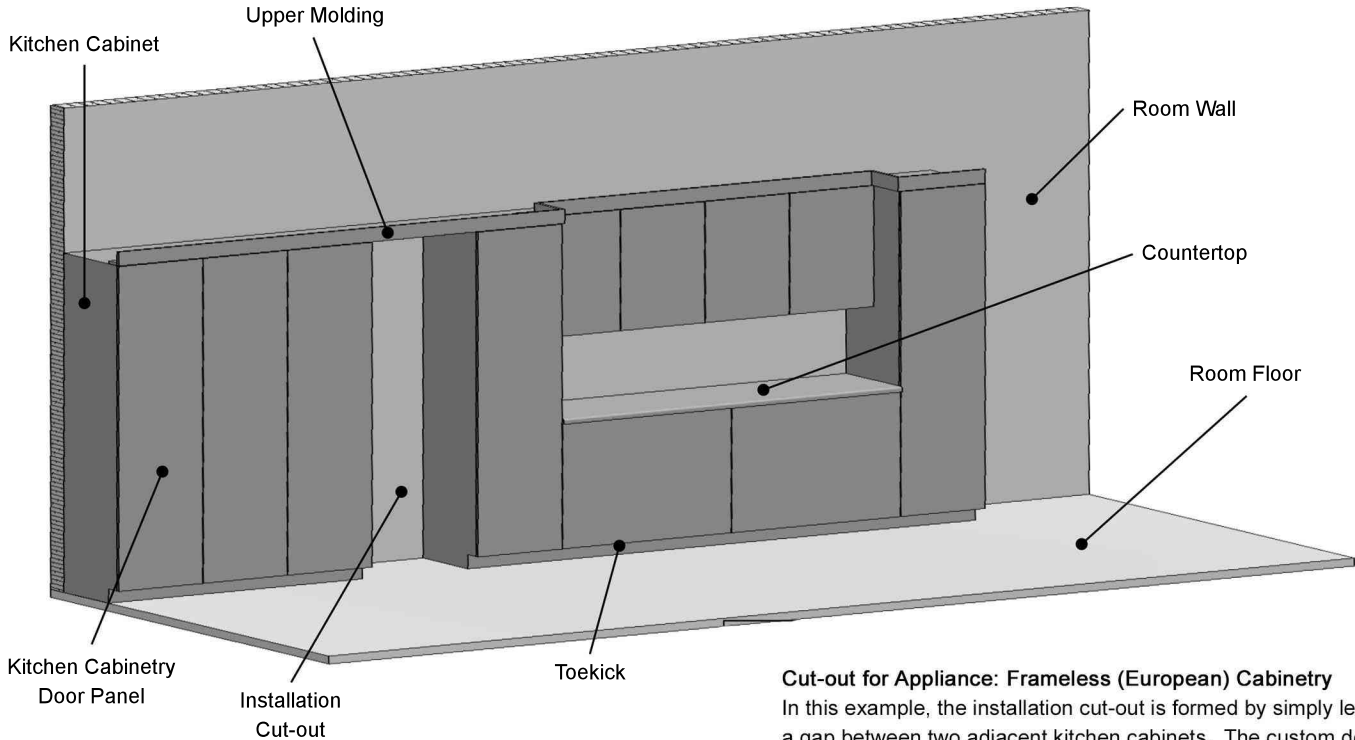
### Recommended Installations Requiring 90 Degree Hinges:



### Not Recommended Installations:



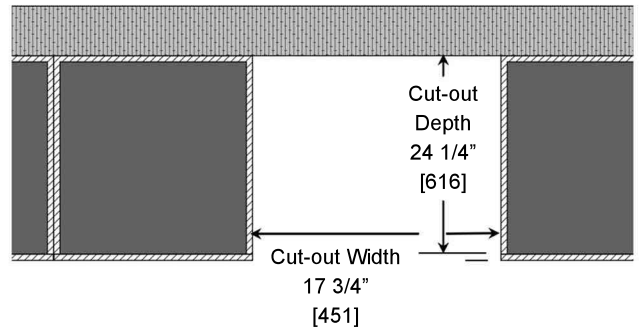
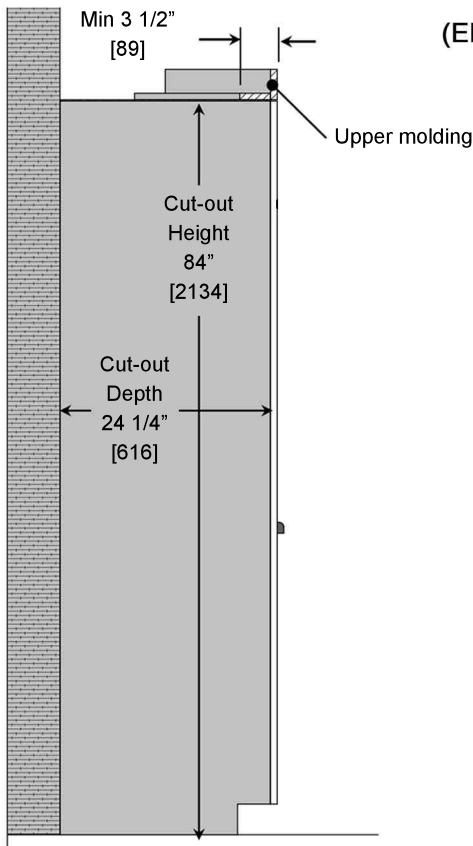




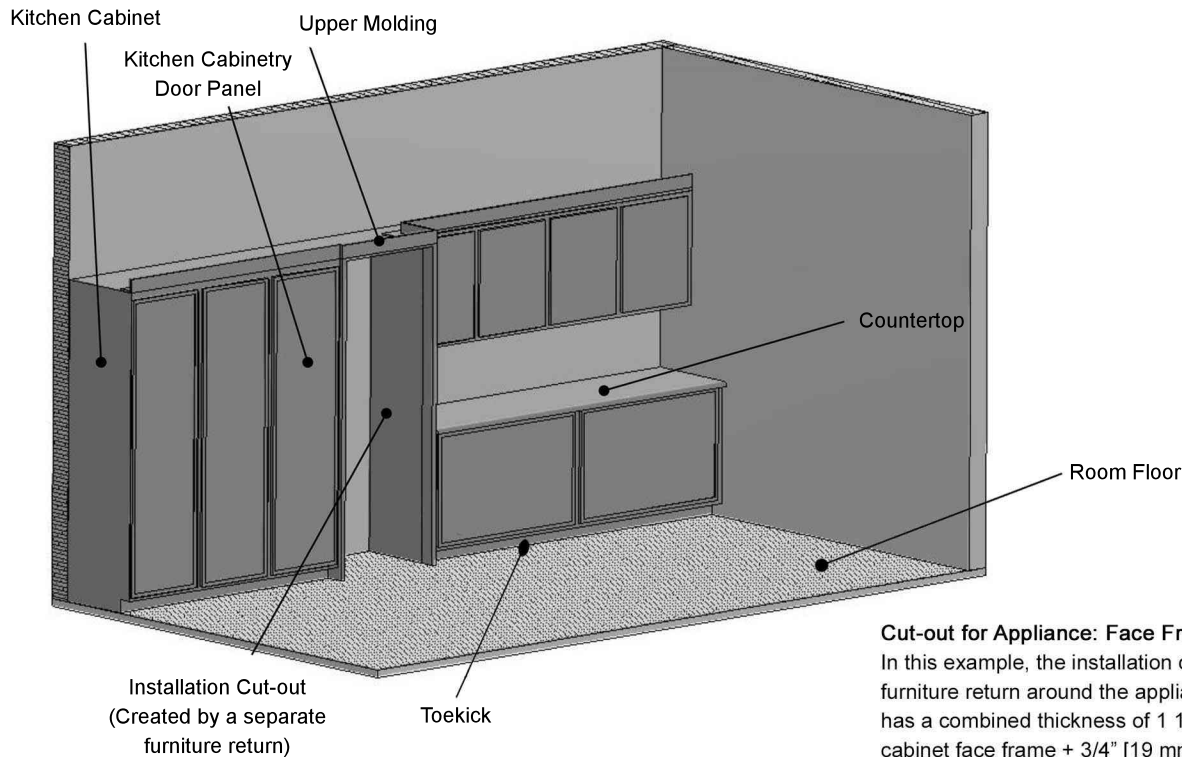
**Cut-out for Appliance: Frameless (European) Cabinetry**  
 In this example, the installation cut-out is formed by simply leaving a gap between two adjacent kitchen cabinets. The custom door panel 3/4" [19 mm] will be identical in appearance and thickness to the surrounding kitchen cabinetry panels.

- Cut-out (case) depth is 24 1/4" [616 mm] - does not include door panel
- Top and side walls of cut-out interior are completely flush, made of solid material and at least 3 1/2" [89 mm] deep.

**Installation Cut-out  
(Elevation Section View)**



**Installation Cut-out  
(Plan View)**

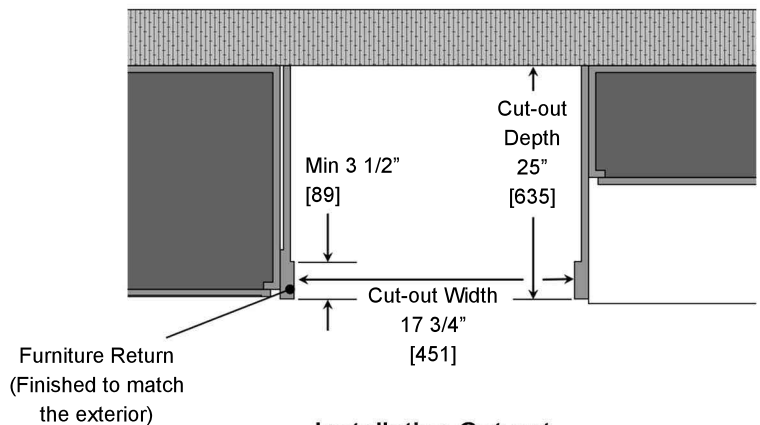
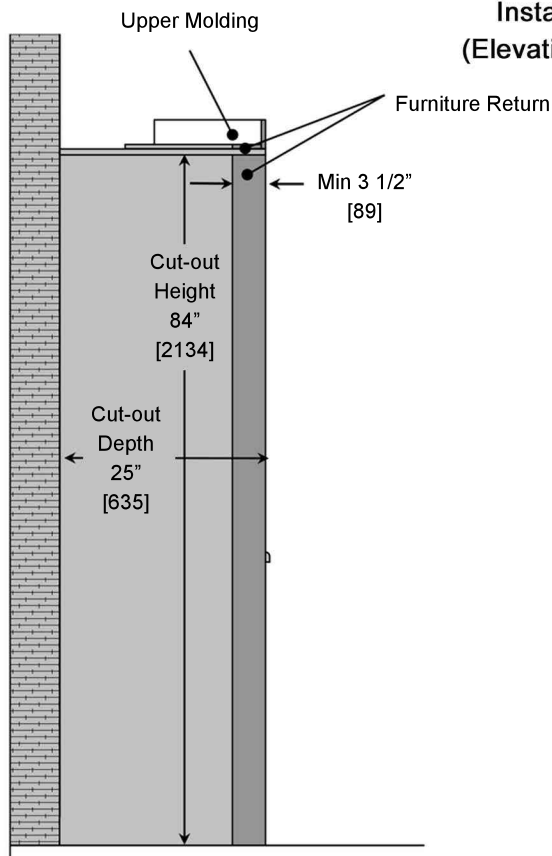


### Cut-out for Appliance: Face Frame Cabinetry

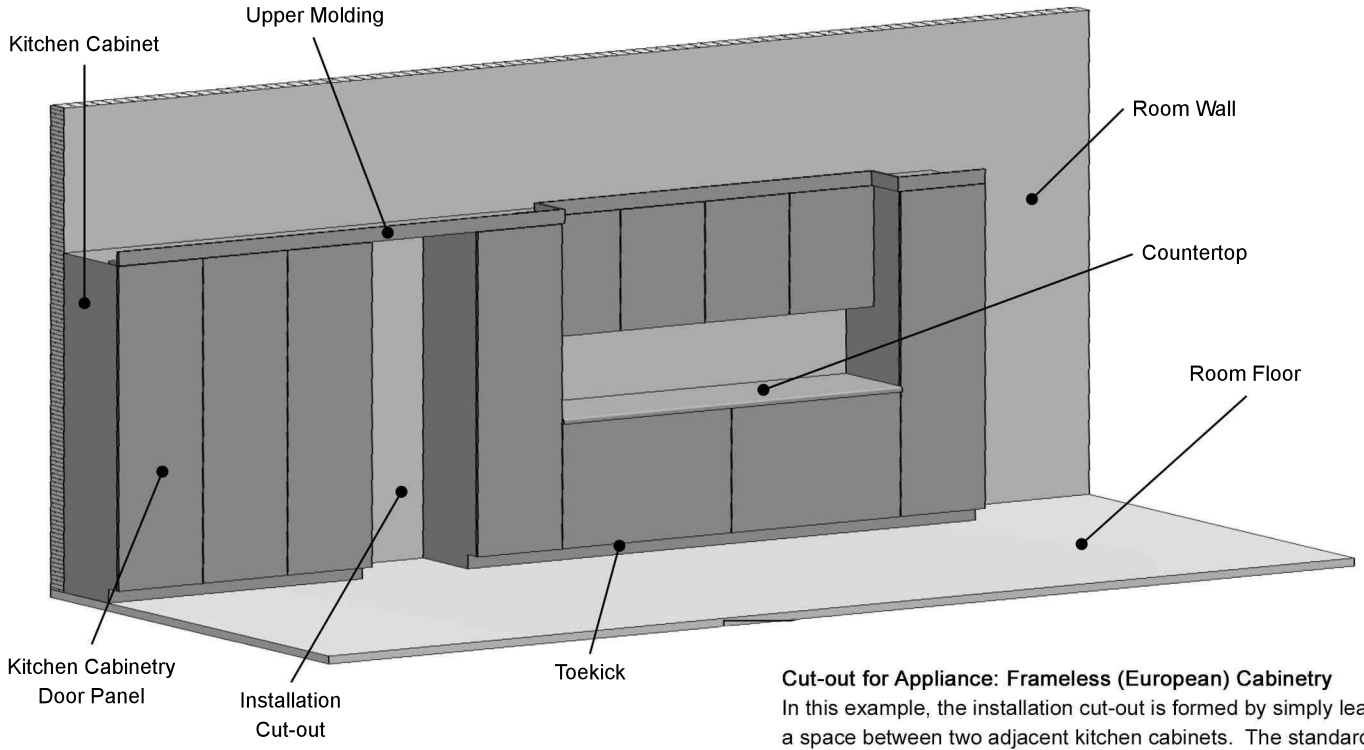
In this example, the installation cut-out is formed by creating a separate furniture return around the appliances. The kitchen cabinet door panel has a combined thickness of 1 1/2" [38 mm], 3/4" [19 mm] emulating the cabinet face frame + 3/4" [19 mm] for the actual door panel. A 25" [635 mm] deep installation cut-out is required.

- Cut-out (case) depth is 25" [635 mm] due to 1 1/2" [38 mm] combined kitchen cabinet face frame panel & cabinet door thickness.
- Any furniture return must be at least 3 1/2" [89 mm] deep, on interior top and sides, of solid material and should be finished to match exterior.

### Installation Cut-out (Elevation Section View)

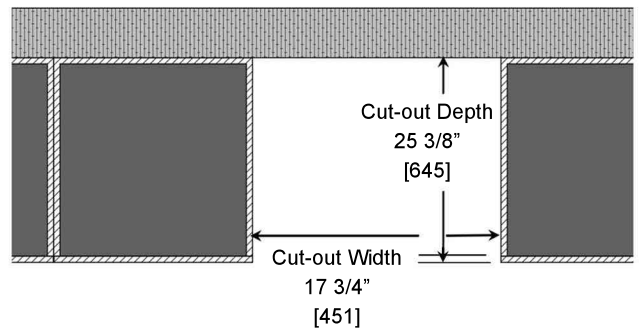
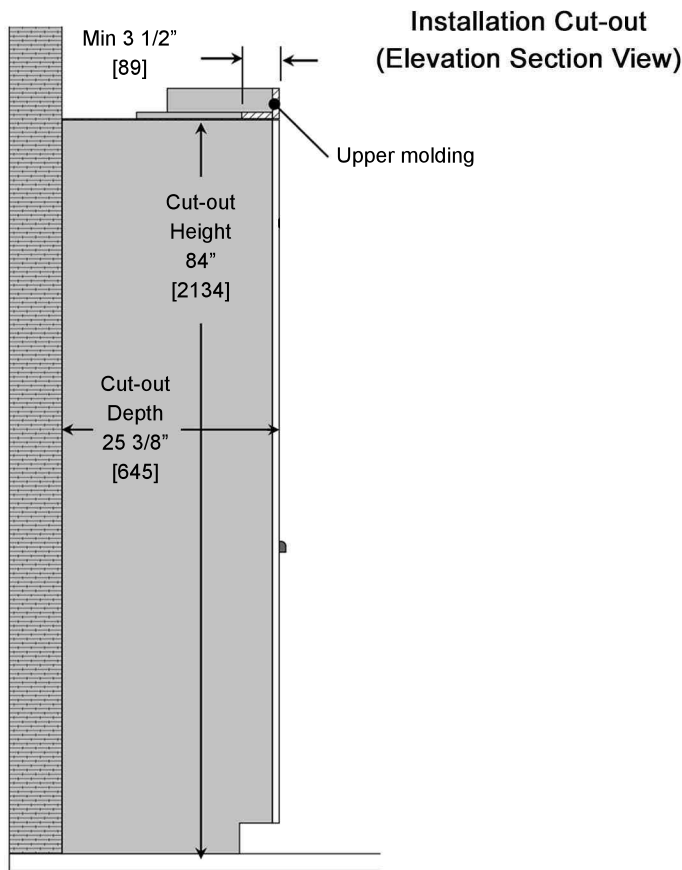


### Installation Cut-out (Plan View)

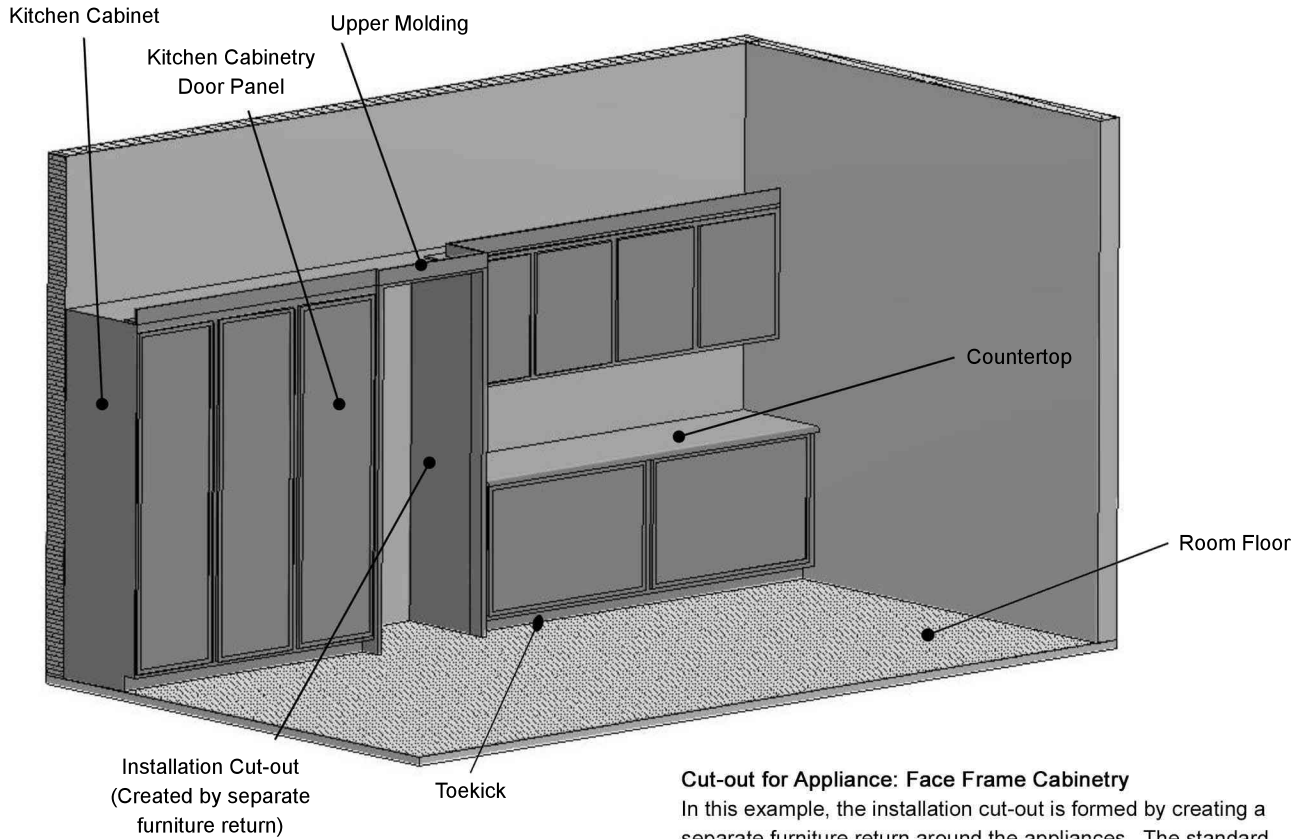


**Cut-out for Appliance: Frameless (European) Cabinetry**  
 In this example, the installation cut-out is formed by simply leaving a space between two adjacent kitchen cabinets. The standard door panel requires a 25 3/8" installation cut-out depth for a flush install.

- Top and side walls of cut-out interior should be completely flush, made of solid material and finished to a depth of at least 3 1/2" from the front edge.



**Installation Cut-out (Plan View)**



**Cut-out for Appliance: Face Frame Cabinetry**

In this example, the installation cut-out is formed by creating a separate furniture return around the appliances. The standard door panel requires a 25 3/8" installation cut-out depth for a flush fit.

- Top and side walls of cut-out interior are completely flush, made of solid material and at least 3 1/2" [89 mm] deep.

