

The NEW Refrigerator Column has been designed to offer exceptional food preservation, maximum storage & unmatched options for kitchen design and flexibility. With industry-leading capacity these integrated columns are perfect for every home kitchen.

PRODUCT FEATURES:

- Over-sized 12.99 cu. ft. capacity
- Stainless steel & glass interiors
- Available in panel-ready, pro-style stainless steel or your choice of 1,000+ colors, all with flush installation
- Advanced temperature control for longer food preservation
- Touch screen control with Sabbath & Shopping modes
- Extra-bright LED lighting
- Fully extending crisper drawers
- Slide-out tray that fits sheet pan
- Iron Clad Warranty: 2 years (full), 5 years (sealed system parts & labor) and 13 years (sealed system parts)
- Side by side kits included with all freezer models. Kits for side by side refrigerators available separately

CONFIGURATIONS:

Right Swing Models:

BIRP24R0	Panel Ready
BIR24R0	Stainless Steel Standard Trim
BIR24R0PLT	Stainless Steel Plated Trim
BIR24R0C	Standard RAL Color Standard Trim
BIR24R0CPLT	Standard RAL Color Plated Trim
BIR24R0CF	Specialty Finish Standard Trim
BIR24R0CFPLT	Speciality Finish Plated Trim
BIR24R0CC	Custom Color Standard Trim
BIR24R0CCPLT	Custom Color Plated Trim



Model: BIRP24R0



Model: BIR24R0



Model: BIR24R0CPLT

SPECIFICATIONS:

Dimensions:

- Standard Door: 83 1/2"H x 23 5/8"W x 25 1/4"D
- Panel Ready: 83 1/2"H x 23 5/8"W x 24 1/4"D

* Overall depth does not include panel depth

* Width includes connector brackets

Electrical Requirements: 115V, 60Hz, 15 AMP Circuit
(Unit must be on a Non-GFI, dedicated outlet)

Unit Capacity: 12.99 cu. ft.

Weight: 364 lbs.

Left Swing Models:

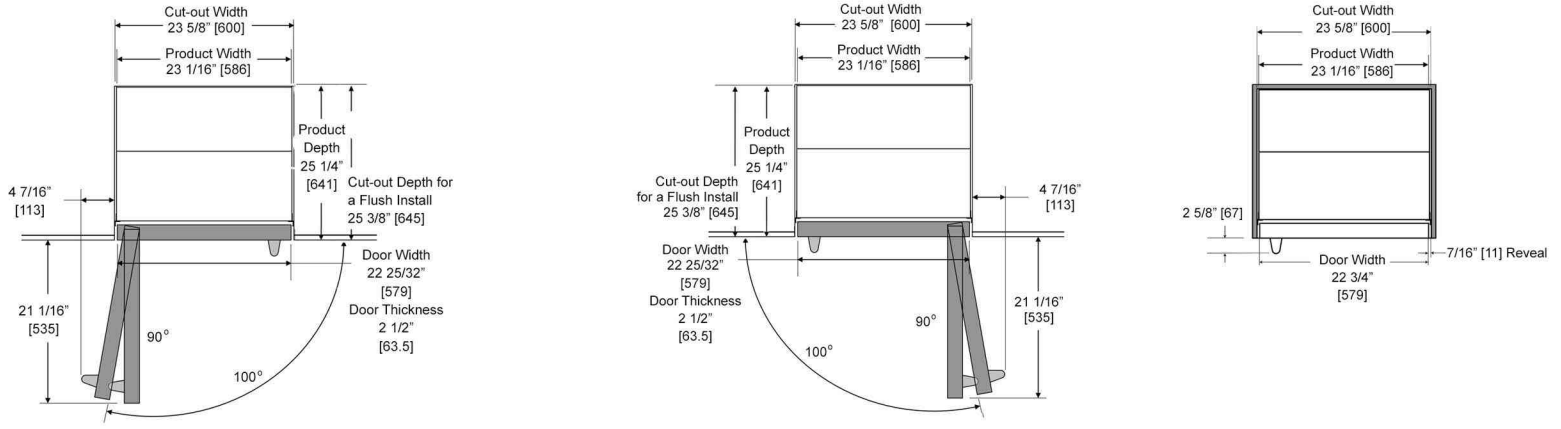
BIRP24L0	Panel Ready
BIR24L0	Stainless Steel Standard Trim
BIR24L0PLT	Stainless Steel Plated Trim
BIR24L0C	Standard RAL Color Standard Trim
BIR24L0CPLT	Standard RAL Color Plated Trim
BIR24L0CF	Specialty Finish Standard Trim
BIR24L0CFPLT	Speciality Finish Plated Trim
BIR24L0CC	Custom Color Standard Trim
BIR24L0CCPLT	Custom Color Plated Trim

- (A) Cut-out must have a finished return of at least 3 1/2" from the front
- (B) Standard Door Installation: Cut-out must be a minimum depth of 25 3/8" [645] for a flush door installation. Cut-out must be minimum depth of 23 1/4" [591] to cover the sides of the unit.

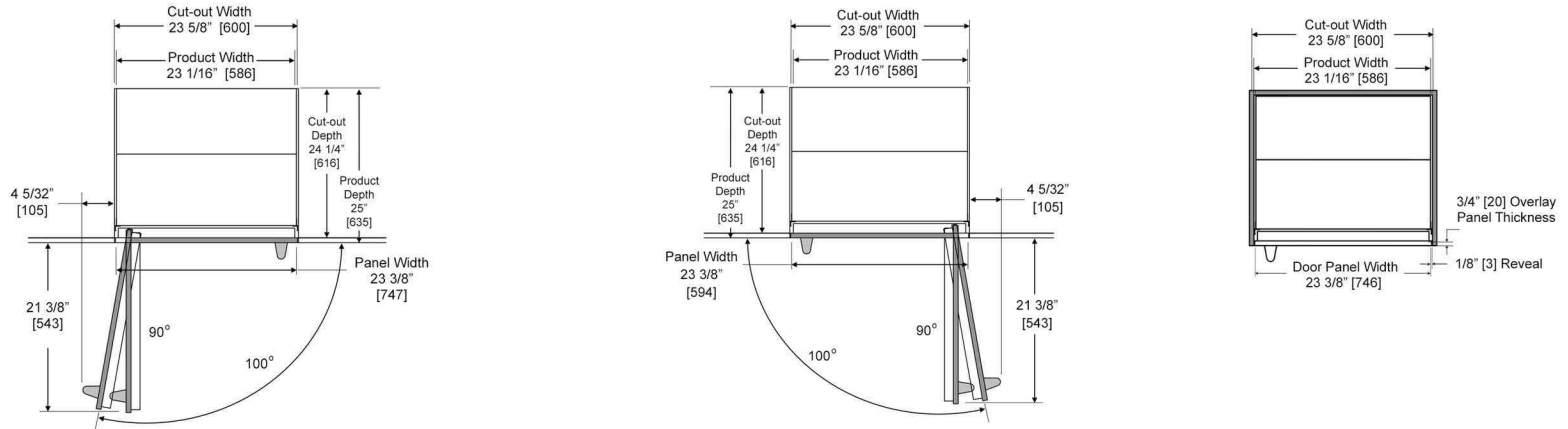
Notes:

- Except where noted, dimensions shown are from cut-out to refrigerator.
- Dimensions shown in [] are in millimeters.
- Cut-out dimensions are for frameless cabinet installations. Refer to column refrigeration design guide for face frame cabinet cut-out dimensions.

STANDARD DOOR MODELS (B)

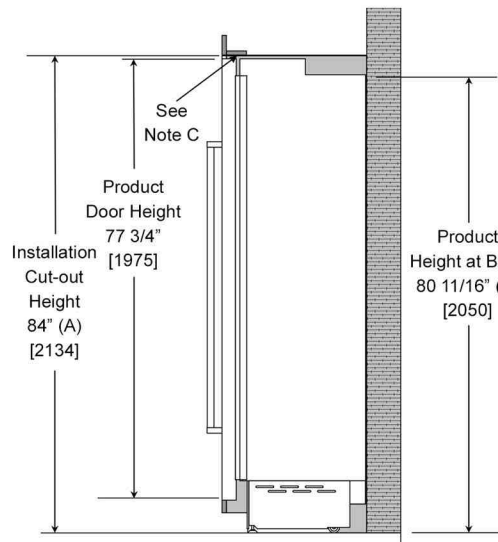


PANEL READY MODELS

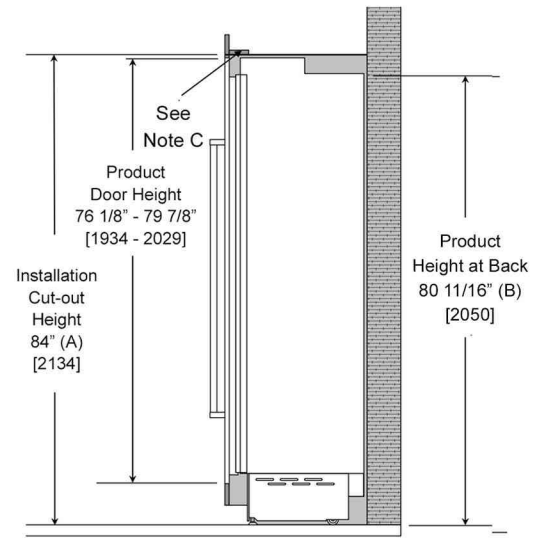


Notes:

- (A) Recommended installation cut-out height: 83 1/2" - 84"
- (B) Dimensions shown are with rollers in minimum position as shipped. Product can be raised 1" max.
- (C) Installation cut-out must have a finished return of at least 3 1/2" from the front.



STANDARD DOOR MODELS



PANEL READY DOOR MODELS