

The NEW Refrigerator Column has been designed to offer exceptional food preservation, maximum storage & unmatched options for kitchen design and flexibility. With industry-leading capacity these integrated columns are perfect for every home kitchen.

### PRODUCT FEATURES:

- Industry-leading 17.44 cu. ft. capacity
- Stainless steel & glass interiors
- Available in panel-ready, pro-style stainless steel or your choice of 1,000+ colors, all with flush installation
- Advanced temperature control for longer food preservation
- Touch screen control with Sabbath & Shopping modes
- Extra-bright LED lighting
- Fully extending crisper drawers
- Slide-out tray that fits sheet pan
- Iron Clad Warranty: 2 years (full), 5 years (sealed system parts & labor) and 13 years (sealed system parts)
- Side by side kits included with all freezer models. Kits for side by side refrigerators available separately

### CONFIGURATIONS:

#### Right Swing Models:

BIRP30R0	Panel Ready
BIR30R0	Stainless Steel   Standard Trim
BIR30R0PLT	Stainless Steel   Plated Trim
BIR30R0C	Standard RAL Color   Standard Trim
BIR30R0CPLT	Standard RAL Color   Plated Trim
BIR30R0CF	Specialty Finish   Standard Trim
BIR30R0CFPLT	Speciality Finish   Plated Trim
BIR30R0CC	Custom Color   Standard Trim
BIR30R0CCPLT	Custom Color   Plated Trim



Model: BIRP30R0

Model: BIR30R0

Model: BIR30R0CPLT

### SPECIFICATIONS:

#### Dimensions:

- Standard Door: 83 1/2"H x 29 3/8"W x 25 1/4"D
- Panel Ready: 83 1/2"H x 29 3/8"W x 24 1/4"D

\* Overall depth does not include panel depth

\* Width includes connector brackets

Electrical Requirements: 115V, 60Hz, 15 AMP Circuit

(Unit must be on a Non-GFI, dedicated outlet)

Unit Capacity: 17.44 cu. ft.

Weight: 445 lbs.

#### Left Swing Models:

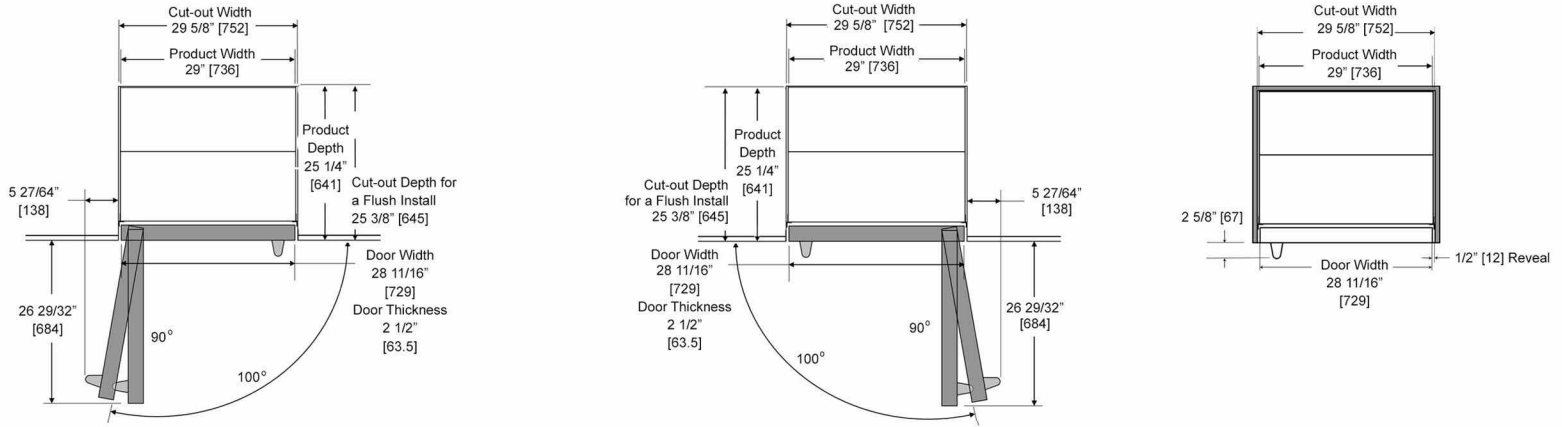
BIRP30L0	Panel Ready
BIR30L0	Stainless Steel   Standard Trim
BIR30L0PLT	Stainless Steel   Plated Trim
BIR30L0C	Standard RAL Color   Standard Trim
BIR30L0CPLT	Standard RAL Color   Plated Trim
BIR30L0CF	Specialty Finish   Standard Trim
BIR30L0CFPLT	Speciality Finish   Plated Trim
BIR30L0CC	Custom Color   Standard Trim
BIR30L0CCPLT	Custom Color   Plated Trim

- (A) Cut-out must have a finished return of at least 3 1/2" from the front
- (B) Standard Door Installation: Cut-out must be a minimum depth of 25 3/8" [645] for a flush door installation. Cut-out must be minimum depth of 23 1/4" [591] to cover the sides of the unit.

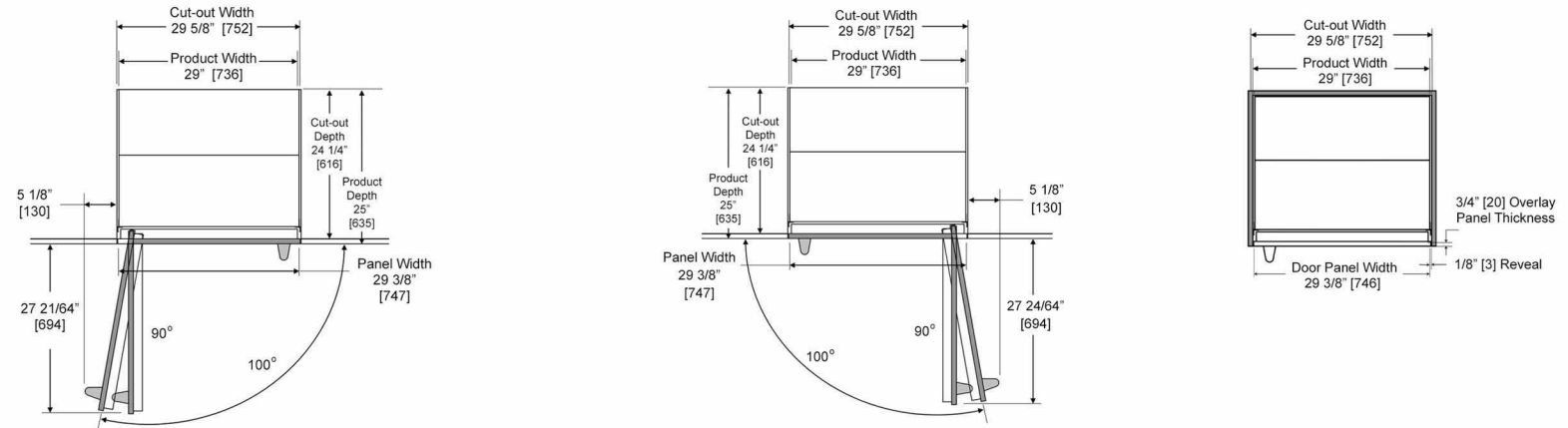
Notes:

- Except where noted, dimensions shown are from cut-out to refrigerator.
- Dimensions shown in [ ] are in millimeters.
- Cut-out dimensions are for frameless cabinet installations. Refer to column refrigeration design guide for face frame cabinet cut-out dimensions.

STANDARD DOOR MODELS (B)

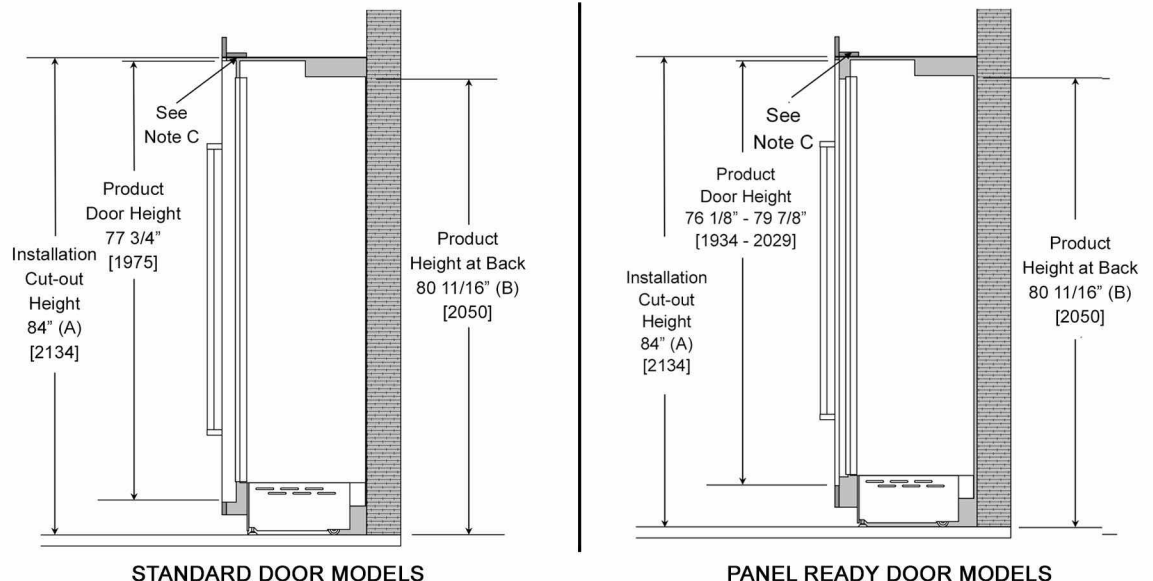


PANEL READY MODELS



Notes:

- (A) Recommended installation cut-out height: 83 1/2" - 84"
- (B) Dimensions shown are with rollers in minimum position as shipped. Product can be raised 1" max.
- (C) Installation cut-out must have a finished return of at least 3 1/2" from the front.



STANDARD DOOR MODELS

PANEL READY DOOR MODELS