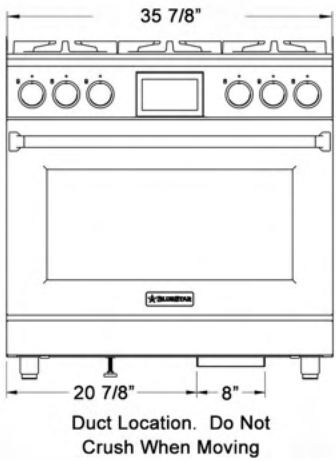
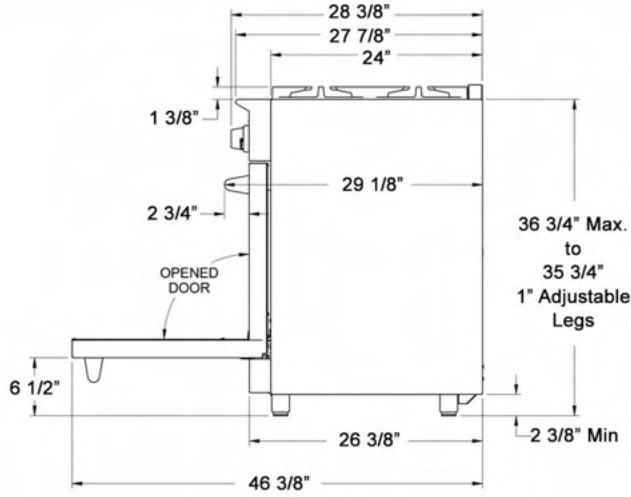




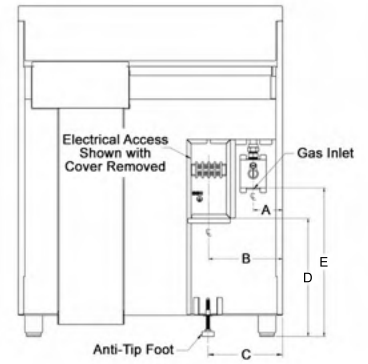
**FRONT VIEW**



**SIDE VIEW**



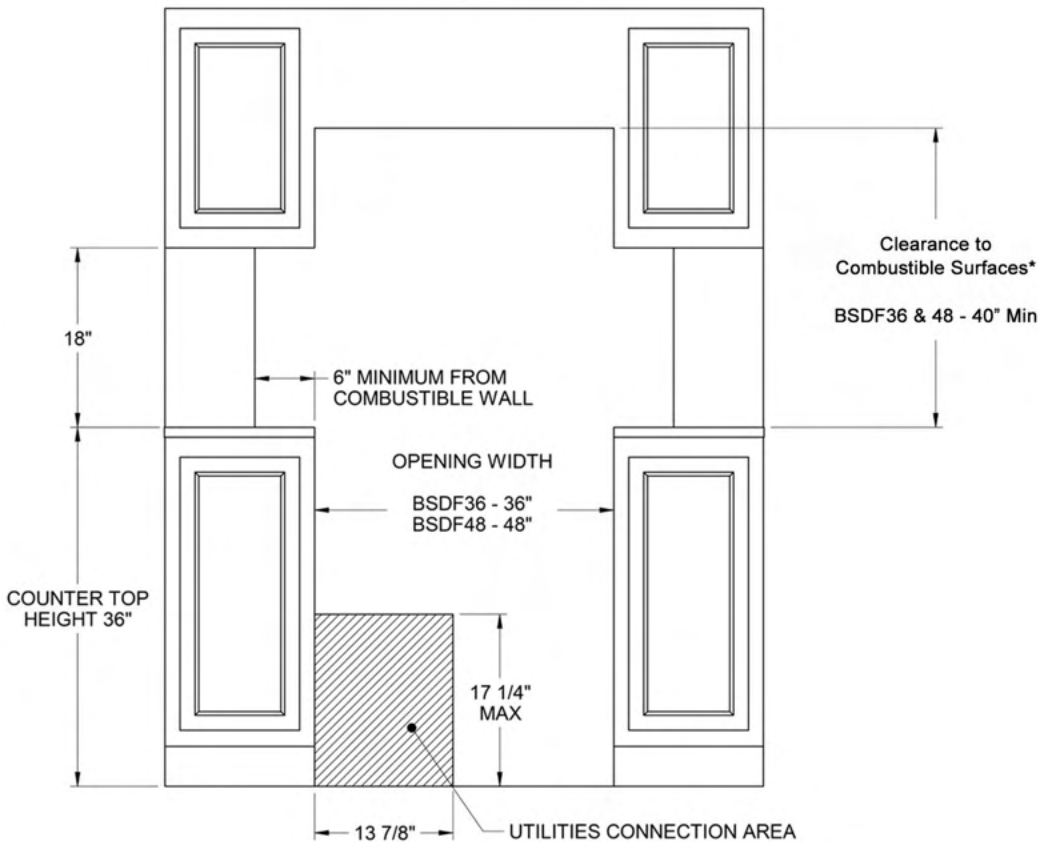
**BACK VIEW**



DIMENSION "A"	DIMENSION "B"	DIMENSION "C"	DIMENSION "D"	DIMENSION "E"
6 1/4"	11 5/16"	11 7/16"	13 5/8"	17 1/8"

**FRONT VIEW**

Ventilation hood recommended for all installations at 30" - 36" above cooktop surface



\* For non-ventilation installations clearance to combustible surfaces BSDF36 & 48 is 40" min

**SIDE VIEW**

